

H-S6 SNOW MACHINE

USER MANUAL

GUANGZHOU DJPOWER ELECTRONIC TECHNOLOGY CO.,LTD

1 BEFORE YOU BEGIN

1.1 What is included




1 × H-S6 snow machine	1 × 20L tank	1 × wireless remote
1 × power cord	1 × 10M directional hose	1 × user manual
1 × fluid hose	1 × waterproof cover	

1.2 Unpacking Instructions

Carefully unpack the product immediately and check the container to make sure all the parts are in the package and are in good condition.

If the box or the contents (the product and included accessories) appear damaged from shipping, or show signs of mishandling, notify the carrier or dealer/seller immediately. In addition, keep the box and contents for inspection.

1.3 Symbols

Symbol	Meaning
	Caution Critical installation, configuration, or operation information. Not following these instructions may make the product not work, cause damage to the product, or cause harm to the operator.
	Important Important installation or configuration information. Failure to comply with this information may keep the product from working correctly.
	Information Useful information.

1.4 Disclaimer

The information and specifications contained in this User Manual are subject to change without notice. DJPOWER assumes no responsibility or liability for any errors or omissions and reserves the right to revise or to create this manual at any time.

Copyright © 2022 DJPOWER. All rights reserved.

1.5 Safety Notes

Please read the following Safety Notes carefully before working with the product. The notes include important safety information about installation, usage, and maintenance.

1.5.1 Personal Safety

- Always connect the product to a grounded circuit to avoid the risk of electrocution.
- Make sure that children, unauthorized people and animals do not obtain access to the machine.

1.5.2 Mounting and Rigging

- In order to prevent the snow fluid from splashing onto the ground after the snow disperse, causing the ground to be slippery, it is recommended to use a layer of absorbent cotton on the ground of the snow machine to prevent slipping. When the machine is used hanging, the bottom of the machine should be kept away from people or important objects. After using the machine, snow fluid remaining on the ground should be cleaned up promptly to prevent people from slipping.
- This product can be used indoors and outdoors! To prevent risk of fire or shock, do not expose the product to rain or moisture.
- CAUTION: When transferring product from extreme temperature environments, (e.g. cold truck to warm humid ballroom) condensation may form on the internal electronics of the product. To avoid causing a failure, allow product to fully acclimate to the surrounding environment before connecting it to power.
- Do not mount the product on a flammable surface (linoleum, carpet, wood, paper, carton, plastic, etc.).
- Do not use in a confined space. Always install the product in a location with adequate ventilation, at least 20 in (50 cm) from adjacent surfaces.
- Be sure that no ventilation slots on the product's housing are blocked or clogged by dust. If necessary, remove the dust.

1.5.3 Power and Wiring

- Always make sure that the voltage of the outlet to which you are connecting the product is within the range stated on the decal or rear panel of the product.
- Make sure the power cord is not crimped or damaged.
- Never connect this product to a dimmer pack or rheostat.
- Never disconnect the product from power cord by pulling or tugging on the cord.
- To eliminate unnecessary wear and improve its lifespan, during periods of non-use completely disconnect the product from power via breaker or by unplugging it.

1.5.4 Operation

- Do not operate this product if you see damage to the housing or cables. Have the damaged parts replaced by an authorized technician at once.
- Do not use the product as a space heater.
- The maximum ambient temperature (Ta) is 104 °F (40 °C). Do not operate the product at higher temperatures.
- **Do not cover the ventilation slots when operating to avoid internal overheating.**
- **Do not cover or plug the output nozzle during operation.**
- Wipe up spitted fluid immediately. Moisture – also fluid – can destroy the electric.
- Never carry the product by the power cord or any moving part. Always use the handles of the machine.

- **Drain the tank before transporting the product. Bubble fluid or the fog fluid tanks shall be used for the relevant fluid only.**
- Always disconnect the product from the power source before cleaning.
- In the event of a serious operating problem, stop using the product immediately.
- Snowflake water is not edible. Swallowing snowflake water may result in risk of damage to your health. Please store snowflake water in a safe indoor place. In case of contact with eyes or if swallowed, seek medical advice immediately.
- This product contains no user-serviceable parts. Any reference to servicing in this User Manual will only apply to properly trained, certified technicians. Do not open the housing or attempt any repairs which can lead to damage or malfunction.
- **Use only DJPOWER Consumable. Snow fluid are recommended.**



Keep this User Manual for future use. If you sell the product, be sure that the purchaser receives this document.

2 INTRODUCTION

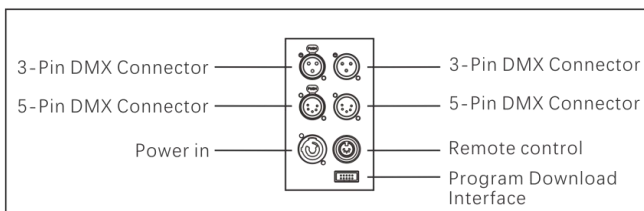
2.1 Description

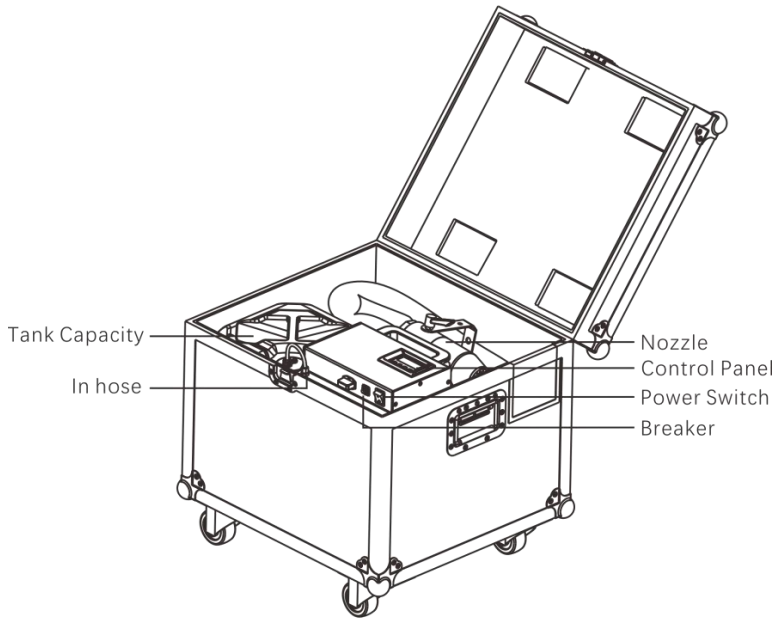
H-S6 is a convenient ultra-quiet snow machine launched by DJPOWER, which can pack accessories, pipelines, and consumables into the flight case. This machine improves the disadvantages of the traditional snow machine hanging high. It has a 10M hose (can be extended to 20 meters), which can be extended to higher point or used at a distance, equipped with a 20L tank capacity. It is enough to supply long-term activity performances, greatly saves manpower, make the operation more humanized. H-S6 has powerful functions such as timing quantitative, manual control, wireless remote control and DMX control, with high-power fan, adjustable snow output, to meet any large realistic snow effect you want.

2.2 Features

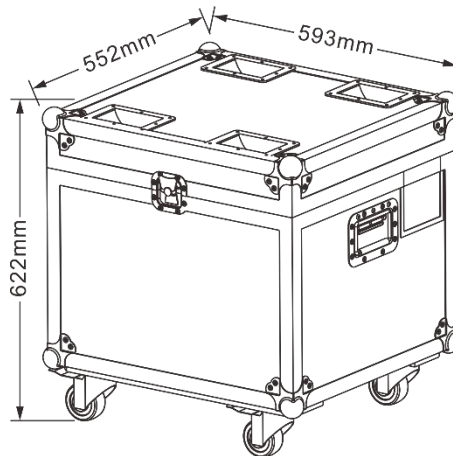
- All the accessories can be put in one flight case, convenient for transportation;
- A 10M hose (can be extended to 20 meters) can be extended to higher point or used at a distance;
- 20L big capacity tank, avoid adding consumables frequently;
- With high-power fan, adjustable snow output, to meet any large realistic snow;
- Use only DJPOWER high-quality PRO-X.2 or PRO-X snow liquid.

2.3 Product Overview





2.4 Production Dimensions



3 TECHNICAL SPECIFICATIONS

AC power	Voltage	AC 220-240 V, 50/60 Hz
	Breaker Type	Overload Protector
	Breaker data	10A/250V
	Total Power	850W
Tank capacity	Capacity	20 L

Output	Adjustable Output	√
	Max Height	Appr. 8 m
	Max Distance	Appr. 8 m
	Output Coverage	30 m ² (placed on the floor in 45°)
		40 m ² (hung 5m height in 45°)
50 m ² (hung 10 m height in 45°)		
Fluid Consumption Rate	Appr. 2.5min/L	
Placement & Mounting	Lie flat	√
	Keep upright	√
	Side lay (do not cover the radiating holes)	√
	Hang upside down	√
	Hang up	√
Control	Manual control	√
	Wireless remote control	W-7
	Wired control	K-2
	Control Protocol	DMX512
	DMX Channel	2
Consumable	Consumable	PRO-X.2 or PRO-X Snow Fluid
Weight & Dimensions	Net weight	34.7 kg
	Gross weight	38.2 kg
	Flight case dimensions	593 × 552 × 622 mm
	Packing dimensions	655 × 610 × 665 mm

4 INSTALLATION SETTING

4.1 AC Power supply

H-S6 has a fixed voltage power supply, which can be used according to the specific model AC 220 V-240 V, 50/60 Hz.

To determine the power requirements of the machine (circuit breaker, power outlet and wiring), please refer to the values listed on the machine panel label, or refer to the machine specification data. The listed values represent the average current consumption of the machine under normal conditions.



Always connect the machine to a protected circuit (circuit breaker or fuse). Make sure that the machine is connected to a grounded power plug to avoid electric shock or fire.



Never connect the machine to a rheostat (variable resistor) or dimmer circuit, even if the rheostat or dimmer channel is only used as a 0 or 100% switch.

4.2 Reset the overload protector

This machine is equipped with resettable overload protector. If the overload protector trips, the machine will be disconnected from the power source.

- Disconnect the machine from the power source.

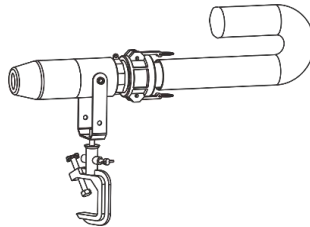
- Wait 15 minutes for the machine to cool down.
- After 15 minutes, press the button of the overload protector to reset it.
- Plug the machine back into the power outlet and continue to use it as recommended.

4.3 Installation Notes

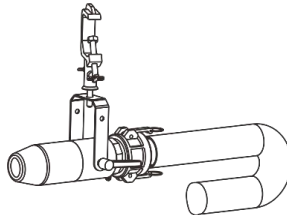
- Use mounting brackets or hanging clamps to mount the nozzle.
- Confirm that the installation site, fixed joints and slings can support more than 10 times the weight of the nozzle.
- Make sure there are no flammable materials around.
- When installing the nozzle, be sure to use a safety rope that can support more than 10 times the weight of the nozzle.
- Please install the nozzle in a well-ventilated place.
- When choosing the installation location of the nozzle, please take the convenience of replacing the nozzle and regular maintenance into consideration

4.4 Adjustable Mounting Bracket

Adjust mounting bracket by loosening screws, set the nozzle to desired angle and tighten the screw to finish adjustment. Illustration below demonstrates how to adjust mounting bracket.

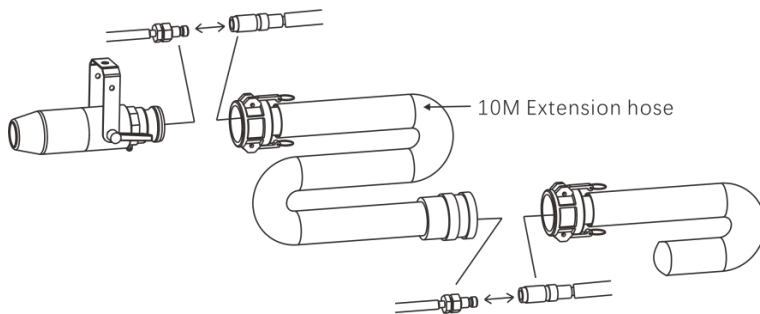


Use screws for surface mounting or clamps for truss mounting.



10M Hose Extension (Optional)

The maximum hose length is 20 meters. Illustration below demonstrates how to connect extension hose.



5 WORKING WITH THE H-S6

5.1 Preparations

Before operating the machine, prepare according to the following steps:

Step 1: After checking that the machine and accessories are not damaged, place the machine on a flat surface with at least 50 cm of space around the machine.

Step 2: Pour the PRO-X.2 snow fluid into the tank, taking care not to fold the tube. Damage caused by the use of other liquids is not covered by the warranty.

Step 3: Connect the machine to the power. Before connecting, please confirm whether the required power indicated on the technical label on the back of the machine is consistent with the power supply.



Be sure to link the machine to a protected circuit and make sure it is properly grounded to avoid the risk of electric shock.

Step 4: Start the machine and press the [VOLUME]/[DOWN] button to make the machine start outputting snow.

Step 5: To turn off the unit, press the [STOP] button and turn the power supply to the OFF position.

5.2 LCD Control

This LCD display is optional in Chinese and English, which is convenient for customers to operate.

- The condition to meet this mode is: disconnect the DMX signal (when the DMX signal is connected, this control mode is invalid).
- The LCD controller contains 4 buttons:



Buttons	Function
<MENU>	Used to change pages (different pages set different states)
▲	Add and reuse the "TIME" key (timed output function)
▼	Decrease, reuse the "volume" key (smoke output function)
<ENTER>	Confirm/exit, reuse the "STOP" key

5.3 MENU page

Press FUNCTION button, there are 12 pages as below:

	LCD display	Description	Value Range
	Ready To Fog DJPOWER H-S6	It shows that the machine is ready to work	
	Interval Set 5s	Snow output interval setting (the range is from 5 to 200 seconds)	5~200s
	Duration Set 5s	Snow output duration setting (the range is from 5 to 200 seconds)	5~200s
Setting page	Timer Out 100%	Snow output under the TIMER mode setting (the range is from 1% to 100%)	1~100%
	Volume Out 100%	Snow output under VOLUME mode setting (the range is from 1% to 100%)	1-100%
	Fan Speed 100%	Fan volume setting (the range is from 1% to 100%) and with strong wind mode	1-100%
	DMX512 ADD 1	The seventh page, setting DMX channel	1 - 512
	Wireless Set ON/OFF	Setting the wireless remote control, can choose ON/OFF setting	ON/OFF
	Clear remote data ENTER	The wireless remote control matching data clearing page, press the ENTER key on this page to confirm the clearing. After clearing the remote control matching data, the previously matched remote control will not be able to be controlled. If you need to control, you need to rematch	
	Last timer ON/OFF	The function switch will continue to work regularly after power off and restart, ON means open, OFF means close	ON/OFF
	Strong Pump ON/OFF	When the snow machine is difficult to pump fluid, please use the strong pumping function to solve the problem.ON means open, OFF means close	ON/OFF
	Language English	Press “▲” or “▼” to choose the language. After setting, press ENTER button to save.	Chinese/English

Under any setting pages, press STOP to exit or return to the page one.

When the unit is working, press STOP to stop running and return to the page one.

After enter into different setting pages, press UP and DOWN to change the value.

When it is in the page one, press TIMER button to enter into timer mode directly. The relevant pages are described as follows:

① "Interval 10s": interval timing;

② "Duration 10s": duration timing;

The above pages will be displayed cyclically, and the time (such as 10s) is based on the currently set value (the settings of the 1st and 2nd pages).

In the timing mode, the snow output is controlled by "Timer Out".

On the first page, press the "VOLUME" to enter the working state. The relevant instructions are as follows:

After entering this working state, the output volume is subject to the value set by "Volume Out".

5.4 Power-off memory function description

1. When the "Direct Timer" page is set to "ON", the machine is working in the regular working mode, if there is a sudden power failure or power off, the machine will automatically work according to the last time setting when it is powered on again. No need to reset, unless this function is turned off manually.

2. When the machine is in the state of remote control output or manual output, if the power is suddenly cut off or turned off, the machine will automatically work according to the last output working mode the next time it is powered on. No need to reset, unless the output is stopped by human operation.

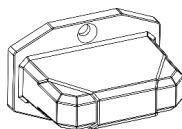
5.5 W-7 wireless remote control function (standard)

This function is used to control the machine work remotely. The remote control can reach more than 40 meters in the open space. First turn on the machine, then turn on the remote control function and the remote control transmitter is matched, so the remote control function is effective.

After the wireless receiver has been tested, it will be fixed on the panel of the H-S6, please do not try to pull it out.



Wireless remote



Wireless receiver

There are four buttons on the remote control. Press the "A" button to start the machine, press the "B" button to stop the machine, press the "C" button to reduce the output, and press the "D" button to increase the output.

H-S6 can match multiple remote control transmitters. This is to allow individual control from machine to machine without being affected by other wireless transmitters. The following explains how this function works.

5.6 Identify the wireless transmitter

When the machine is powered on, and the last time the remote control function setting page is set to ON, the LCD controller will display "Wireless Setup", if this state appears, it means that the wireless transmitter can be paired. When pressing the button on the wireless transmitter (it needs to stay for at least 1 second), if the backlight of the LCD controller flashes twice, it means that a wireless transmitter has been recognized and stored. A machine can only recognize up to 60 wireless transmitters.

- If multiple wireless remote control transmitters have been identified, now to make clear the matching remote control data, the operation is as follows:
- On the "Clear remote control data" page, press the button "ENTER", the screen displays "Data clearing...", and after a few seconds, the screen displays "Data clearing complete". At this time, it means that the previously matched remote control transmitter data has been cleared, and it needs to be re-matched before it can be controlled.
- In the "Wireless Remote Control Function" setting, after the setting page is turned off, the remote control function will be invalid, but the previously matched remote control data is still saved. After this function is turned on, the remote control function will work normally.

5.7 K-2 wired controller (standard)

An S5 socket interface is reserved on the machine, which can be connected to the K-2 controller for remote control. Timing control, and manual control of snow output work.

5.8 DMX Operation

After the machine is connected to the DMX signal, the LCD screen can only display the DMX512 address setting page. At this time, it can be used to modify the DMX512 address code at any time.

H-S6 has two channels

Channel	Function	Value	Status
1	Wind output level	0-5	Off
		6-250	Fan Output 1-100%
		251-255	Strong wind mode
2	Snow output level	0-5	Off
		6-250	Snow Output 1-100%

6 TECHNICAL INFORMATION

6.1 Maintenance

H-S6 needs regular cleaning and maintenance to achieve the best results. Some cleaning and maintenance steps are essential. Here are the recommended cleaning steps:

- Unplug the product from power.
- Empty snow fluid from the machine.
- Add water to the snow fluid tank.
- Connect the product to power and allow it to warm up. Run the Cleaning Mode. Thoroughly rinse the snow fluid reservoir and fluid tube.
- Run the product in a well-ventilated area. Do not allow the pump to run dry.
- Add snow fluid again to continue using H-S6. Run the machine briefly to remove any remaining clean water from the oil pump and heater.
- Excessive dust, fluid residue and dirt will degrade performance and cause overheating. Remove dust from air vents with air compressor, vacuum or soft brush. The casing could be cleaned by the damp cloth.
- If the cleaning mode is not turned off manually, the machine will automatically turn off the cleaning function after the machine cleaning time reaches 1 minute.



Test-run your H-S6 on a monthly basis to achieve the best performance.

6.2 Storage

Before storing the machine, clean it and empty the fluid tank. Keep storage environment dry.