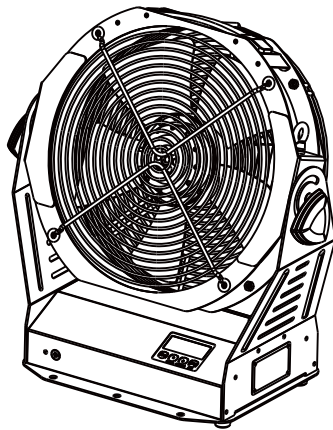




[ PRO STAGE EFFECTS ]



**H-9** USER MANUAL

---

**PRO DMX FAN**

## ◆ Foreword

Thank you very much of choosing the H-9 PRO DMX FAN. Before start operating, we strongly suggest to read the user manual carefully. Following the instructions in the user manual will ensure your safety while operating the machine, easily achieve the best effect, as well as understand the right way to care for and maintain the machine in order to prolong the product life cycle.

## ◆ Introduction

H-9 is a professional special auxiliary equipment, the shell adopted sturdy metal materials, firm and durable.

1% to 100% adjustable wind speed, wind outlet angle 270°adjustable;It can be hung used. Use with fog machine, H-9 can thin the fog, spreading further; used with snow or bubble machine, snow or bubble can spread further and higher.

## ◆ Features:

1. Shell is made of sturdy metal material, firm and durable;
2. With high-strength plastic blades, massive output but low noise;
3. 1% to 100% precisely adjustable wind speed;
4. Hung or placed on the floor;
5. 270°adjustable angle wind outlet;
6. Anti-loose power plug;
7. Professional auxiliary appliance, used with snow or bubble machine, snow or bubble can spread further and higher;
8. Built-in LCD control, wireless control, and 3-pin and 5-pin DMX control;

## ◆ Safety Information

1. Keep the fixture dry. For indoor and outdoor used.
2. Use grounded electrical outlet. Prior to use, make sure that unit is installed at the rated voltage.
3. Turn off or unplug when not using it.
4. This machine is not water-proof. Please keep it away from moisture and water. If moisture, water, or fluid gets inside the housing, stop using it.

- 5.No user serviceable and modifiable parts inside. Do not disassemble the housing and do any modification, otherwise it might cause damage to the unit or danger of burning.
- 6.For adult use only. Fixture must be installed out of the reach of children. Never leave the unit running unattended. Keep it away from fire, combustible, and flammable materials.
- 7.When it is working, please keep your hair away from the machine to avoid injuring your hair.
- 8.Due to the powerful speed of the Fan, do not throw anything into it before it is started.
- 9.Position the machine in well-ventilated area. Please leave about 50cm spaces surrounding the unit.
- 10.Please do not use the fixture under high temperature.
- 11.If something wrong happen while using, please stop the fixture immediately, cut off the power, and check the fog liquid amount, fuse, power cable and power plug. If problems could not be resolved, please contact with your dealer.

### ◆ Opening the Package and Inspecting the Machine

Please make sure the machine is in good condition after opening the package. If there is any damage, please contact with your dealer directly and do not power on the machine.

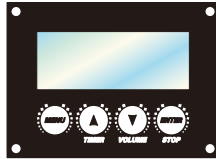
### ◆ What is Included

- 1.H-9 PRO DMX FAN × 1
- 2.W-5 wireless controller × 1
- 3.Power cord × 1
- 4.User manual × 1

### ◆ Operation

- 1.After checking whether machine and spare parts are all intact, put it in a stable position.
- 2.Please confirm the voltage standard, connect the power cord to a grounded socket, prepared-well for working.

### ◆ Interface Operation



- “MENU” : Menu pages selection(different pages for different status);
- “UP” : Increase, multiplex “TIMER” button;
- “DOWN” : Decrease, multiplex “VOLUME” button;
- “ENTER” : In/Out, multiplex “stop” button;

◆ **Press “ MENU ” button to switch different pages, four pages in all:**

- “ Ready To work ”
- “ DMX512 Address.”  
The DMX address can be set up by “UP” and “DOWN” button, adjustable from 1 ~ 512;
- “ Volume out ”  
The fan speed can be setup by “UP” or “DOWN” button, adjustable from 1%~100%,and Boost Mode. Boost mode is about 130% fan speed.
- “ Wireless set ”  
The wireless function can be ON or OFF by “ UP ” or “ DOWN ”;

◆ **Wireless Remote Operation**

W-5 wireless remote controller, has 4 buttons, Press button A for 100% wind speed, button B for 66%, C for 33%, D for 1%. When you press the button A, the fan starts working, and press A second time, the fan stops working. The operation of other button are the same with this.

1. Wireless Remote Control function



- There are two buttons on the controller, ON and OFF.

When the unit is powered on, and the wireless status is ON, the LCD display will show “wireless setup”. In such case, user can register the wireless remote by pressing any button for 1s on the remote. If the LCD display flickers twice, then it is matched with the unit successfully. One unit can match with 5 remotes at most. If user register the sixth one, then the memory for the first one will be erased.

If the unit has matched with 5 remotes, when powered off. It will remember those remotes, while if user tries to register another one, then the memory for the five remotes will be erased.

- For example:

① If one unit needs to be registered with three remotes, during 15s after the machine is powered on, press buttons on the three remotes to register them. Make sure the LCD display flickers twice.

② If two units need to be controlled by one remote. Power on both machine, and press button on the remote. Make sure both units' LCD display flicker twice, then release the button.

#### ◆ **DMX Control**

When connected to a DMX signal, the LCD will only say the DMX address, then the address code can be adjusted by “UP” and “DOWN”.

Channel one: fan output, (0-9 OFF. 10-255 ON the output is larger gradually)

#### ◆ **Technical Parameters**

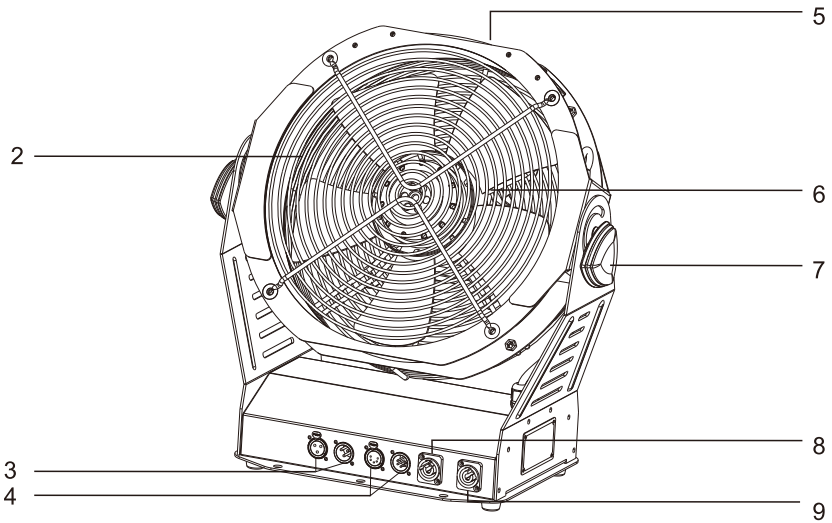
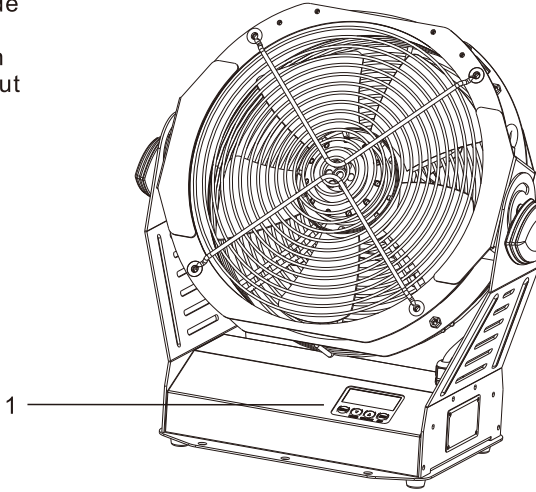
Model:	H-9 PRO DMX FAN
Input Voltage:	AC 220 V~240 V 50/60 Hz
Fuse:	F2 A/250 V
Total Power Consumption:	150 W
Wind Angle:	0°~270°
Speed Adjustment:	1%-100%
Fan Speed:	0~2500 r/min
Wireless Control:	W-5
DMX Channel:	1(0~9 off,10~255 on)
Net Weight:	11 kg
Gross Weight:	13 kg
Machine Dimensions:	445/283/475 mm
Packing Dimensions:	515/435/415 mm

#### ◆ **Diagram**

# H-9 PRO DMX FAN

---

- 1. Fan grid
- 2. LCD display
- 3. 3-pin DMX
- 4. 5-pin DMX
- 5. Trolley
- 6. Fan blade
- 7. Knob
- 8. Power in
- 9. Power out



◆ Schematic digram of hook

Fix hook seats with pliers

