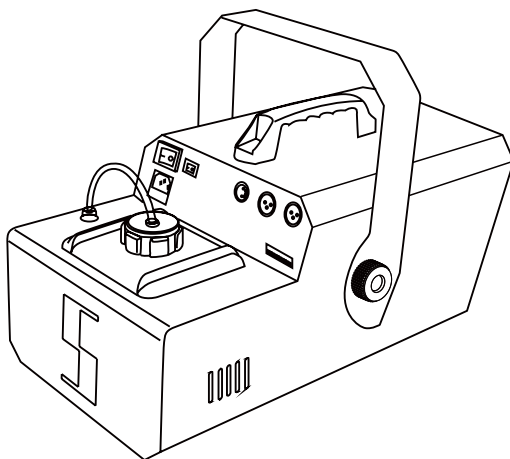


**djv**<sup>®</sup> BY **DJPOWER**<sup>®</sup>

[ PRO STAGE EFFECTS ]



**SNOW-1250** USER MANUAL

**SNOW MACHINE**

GUANGZHOU DJPOWER ELECTRONIC TECHNOLOGY CO.,LTD

## ◆ Foreword

Thank you very much of choosing SNOW-1250 snow machine. Before start operating, we strongly suggest you to read the user manual carefully. Following the instructions here will ensure your safety while operating the machine, easily achieve the best effect, as well as understand the right way to care for and maintain the machine, hence to prolong the product life cycle.

## ◆ Safety use

In order to prevent the snow fluid from splashing onto the ground after the snow disperse, causing the ground to be slippery, it is recommended to use a layer of absorbent cotton on the ground of the snow machine to prevent slipping. When the machine is used hanging, the bottom of the machine should be kept away from people or important objects. After using the machine, snow fluid remaining on the ground should be cleaned up promptly to prevent people from slipping.

- Keep the fixture dry. For indoor and outdoor used.
- Use grounded electrical outlet. Prior to use, make sure that unit is installed at the rated voltage.
- Turn off or unplug when not using it.
- This machine is not water-proof. Please keep it away from moisture and water. If moisture, water, or fluid gets inside the housing, stop using it.
- No user serviceable and modifiable parts inside. Do not disassemble the housing and do any modification, otherwise it might cause damage to the unit or danger of burning.
- For adult use only. Fixture must be installed out of the reach of children. Never leave the unit running unattended. Keep it away from fire, combustible and flammable materials.
- Position the machine in well-ventilated area. Please leave about 50cm spaces surrounding the unit.
- Please do not use the fixture under high temperature.
- Never add flammable liquids of any kind (oil, gas, perfume) to the snow liquid.
- If something wrong happen while using, please stop the fixture immediately, cut off the power, and check the fog liquid amount, fuse, power cable and power plug. If problem could not be resolved, please contact with your dealer.
- Use only high-quality DJ snow liquid.
- Never drink liquid. If it is ingested, call a doctor immediately for any discomfort. If liquid comes in contact with skin or eyes, rinse thoroughly with water.

## ◆ The following parts should be included when you receive the package of SNOW-1250:

1. SNOW-1250 snow machine X 1
2. FK-1 wired remoter X 1
3. Power cord X 1
4. User manual X 1

## ◆ FK-1 Controller

1. The right red LED indicator is for power.
2. The left green LED indicator is for working, when the fixture is working, it will light up.
3. The square switch is used to set the Snow on/off.
4. Adjusting the knob on the controller to set snow output. Clockwise for volume increase; anticlockwise for volume decrease.



attached picture

### ◆ Operating instruction

1. After checking all the parts are intact and complete, place the machine on flat . Pour DJ snow liquid into the oil tank carefully and screw the cap .
2. Connecting the power cord. Before power on, make sure it is connected with the grounded socket.
3. Turn on the machine, and it can be controlled by FK-1 or DMX.

### ◆ Function

SNOW-1250 is equipped with FK-1 wired controller and DMX control, adjusting the snow output.

### ◆ Technical parameters

Input Voltage:	AC 220 V - 240 V, 50/60 Hz
Fuse:	F8 A/250 V
Total Power Consumption:	1,220 W
Fluid Consumption Rate:	Appr. 5 min/L
Wired Controller:	FK-1
DMX-512:	✓
Fluid Tank Capacity:	2.5 L
Net Weight:	9 kg
Gross Weight:	10.3 kg
Machine Dimensions:	508/320/269 mm
Packing Dimensions:	585/340/350 mm

### ◆ Diagram

1. Bracket
2. Fan speed switch
3. Power switch
4. Power socket
5. Tube
6. Handle
7. S5 pin socket)
8. 3-pin DMX XLR socket (input)
9. 3-pin DMX XLR socket(output)
10. DIP switch
11. Fluid tank

