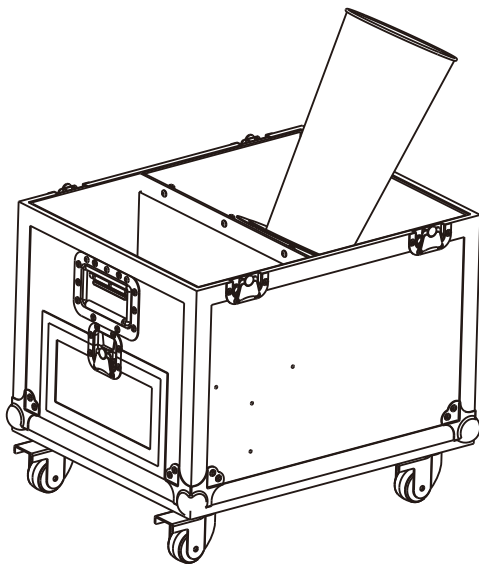


djv[®] BY DJPOWER[®]

[PRO STAGE EFFECTS]



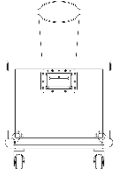
DC-1 USER MANUAL

CO2 CONFETTI BLASTER

GUANGZHOU DJPOWER ELECTRONIC TECHNOLOGY CO.,LTD

1 BEFORE YOU BEGIN

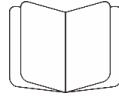
1.1 What Is Included



DC-1



Power Cord



User Manual



Warranty Card






Certification

1.2 Unpacking Instructions

Carefully unpack the product immediately and check the container to make sure all the parts are in the package and are in good condition.

If the box or the contents (the product and included accessories) appear damaged from shipping, or show signs of mishandling, notify the carrier or dealer/seller immediately. In addition, keep the box and contents for inspection.

1.3 Symbols

Symbol	Meaning
Caution	
	Critical installation, configuration, or operation information. Not following these instructions may make the product not work, cause damage to the product, or cause harm to the operator.
Important	
	Important installation or configuration information. Failure to comply with this information may keep the product from working correctly.
Information	
	Useful information.

1.4 Disclaimer

The information and specifications contained in this User Manual are subject to change without notice. DJPOWER assumes no responsibility or liability for any errors or omissions and reserves the right to revise or to create this manual at any time.

Copyright © 2018 DJPOWER. All rights reserved.

1.5 Safety Notes

Please read the following Safety Notes carefully before working with the product. The notes include important safety information about installation, usage, and maintenance.

1.5.1 CO2

The machine uses CO₂ gas or liquid CO₂ as input. The application of CO₂ involves serious risks. Make sure that you are well informed on these risks before installation and/or operation. Always use approved CO₂ cylinders, hoses and connections. Always consult your CO₂ supplier for regulations and instructions on safe installation and use.

DJPOWER is not liable for unsafe situations, accidents and damage that are the result of incorrect working with CO₂ gas and CO₂ cylinders.



Inadequate installation and/or operation of a CO₂ powered machine and CO₂ cylinders can lead to death or serious injury. Always follow the instructions from this manual, from your CO₂ supplier and from local authorities

1.5.2 Personal Safety

- Always connect the product to a grounded circuit to avoid the risk of electrocution.
- Never aim or fire the output at any person or living thing.
- Make sure that children, unauthorised people and animals do not obtain access to the machine.

1.5.3 Mounting and Rigging

- For safety reasons, we do not recommend mounting the product in any capacity. Operate the product while it is on the ground only.
- Do not situated the machine in the vicinity of a source of vibration.
- CAUTION: When transferring product from extreme temperature environments, (e.g. cold truck to warm humid ballroom) condensation may form on the internal electronics of the product. To avoid causing a failure, allow product to fully acclimate to the surrounding environment before connecting it to power.
- Do not mount the product on a flammable surface (linoleum, carpet, wood, paper, carton, plastic, etc.).
- Do not use in a confined space. Always install the product in a location with adequate ventilation.
- Make sure there are no freestanding objects or objects that can be damaged by the machine within the output distance. Keep clear 5 m (16.4 ft) from the output.

1.5.4 Power and Wiring

- Always make sure that the voltage of the outlet to which you are connecting the product is within the range stated on the decal or rear panel of the product.
- Make sure the power cord is not crimped or damaged.
- Never connect this product to a dimmer pack or rheostat.
- Never disconnect the product from power cord by pulling or tugging on the cord.
- To eliminate unnecessary wear and improve its lifespan, during periods of non-use completely disconnect the product from power via breaker or by unplugging it

1.5.5 Operation

- Do not operate this product if you see damage to the housing or cables. Have the damaged parts replaced by an authorized technician at once.
- Make sure there are no flammable materials close to this product while it is operating.
- Do not cover or plug the output nozzle during operation.
- Never carry the product by the power cord or any moving part. Always use the handles.
- Have a relative humidity degree of no more than 90%.
- Have a reasonably stable temperature of between -20 and 70°C.
- Always disconnect the product from the power source before cleaning.
- This product contains no user-serviceable parts. Any reference to servicing in this User Manual will only apply to properly trained, certified technicians. Do not open the housing or attempt any repairs which can lead to damage or malfunction.
- In the event of a serious operating problem, stop using the product immediately.
- All required safety devices must be in good condition and function properly.
- Ensure sufficient lighting of the surroundings.
- Keep the workplace clean.
- Do not remove any safeguards, safety caps and safety symbols.



Please note that the confetti can rub off when it comes into contact with moisture. Therefore, please only use confetti in or on dry, non-sensitive surroundings and surfaces. We assume no liability for damage resulting from disregard of these and other safety instructions in the operating instructions.



Keep this User Manual for future use. If you sell the product, be sure that the purchaser receives this document.

2 INTRODUCTION

2.1 Description

DC-1 is a special effects machine that launches confetti into the air up to a height of 12-15 meters.

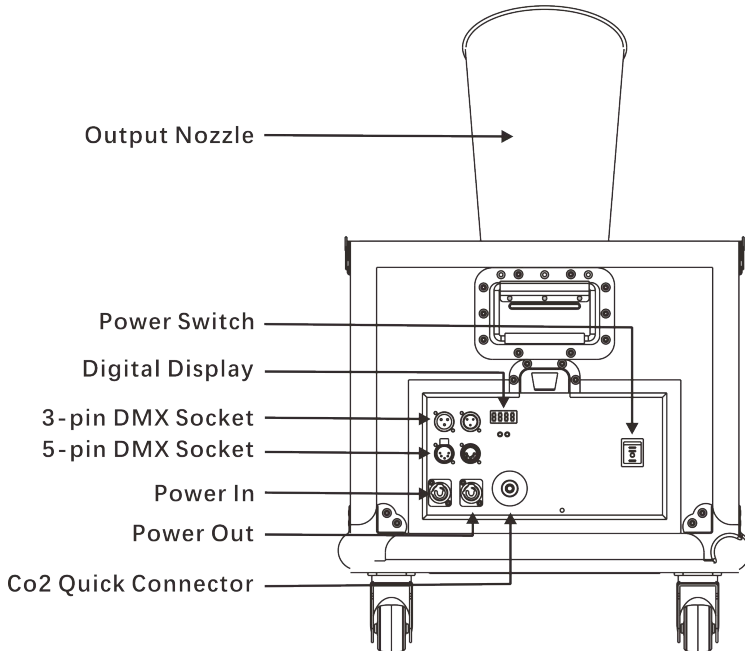
The DJPOWER CO2 Confetti Blaster is equipped with a CO2 powered woofer. CO2 is shot into the woofer through small holes. This creates a Venturi effect that draws the confetti continuously from the hopper, out of the woofer and into the air. The shot is accompanied by a strong hissing sound. If liquid CO2 is applied, a white plume of smoke will be visible.

Touring size flight case, easy and quick install. Large CO2 powered confetti blaster with a massive output designed for big concerts, stadiums and festivals. No operator needed!

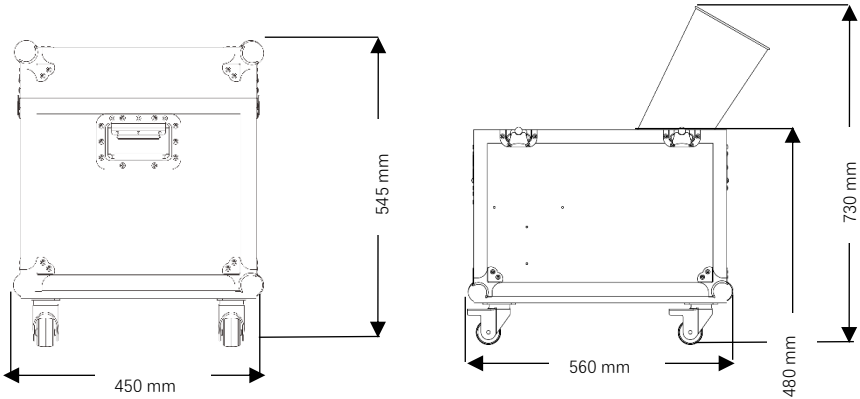
2.2 Features

- Quality durable magnetic valve;
- Stable and strong anti-interference ability;
- Removable horn for transport
- Built-in digital display control and DMX control;
- Extra CO2 smoke effect is more attractive;
- Powerful atmospheric column reaches 12-15 meters;
- Low CO2 consumption.

2.3 Product Overview



2.4 Product Dimensions



3 TECHNICAL SPECIFICATIONS

AC Power	Input Voltage & Rate	220-240 V, 50/60 Hz
	Current Limiter Type	Fuse (F)
	Current Limiter Specifications	2 A, 250 V
	Total Power Consumption	80 W
	Typical Current	0.3 A
	Power Input Connector	Lockable PowerCon
	Power Output Connector (Daisy Chained)	Lockable PowerCon
Output	Max Output Height	12-15 m
	Consumable Type for Standard Output Test	Liquid Carbon Dioxide & Confetti
Accessory	Power Cord	√
	Wireless Controller Model	×
	Wired Controller Model	×
Control	On-device Manual Control	7-seg digital display
	Control Protocol	DMX-512
	DMX Channel Range	1
Certification	CE	√
	RoHS	√
Consumable	Consumable	Liquid Carbon Dioxide & Confetti
Weight & Dimensions	Net Weight	25 kg
	Gross Weight	27.5 kg
	Machine Dimensions - Length	560 mm
	Machine Dimensions - Width	450 mm
	Machine Dimensions - Height	545 mm
	Packing Dimensions - Length	620 mm
	Packing Dimensions - Width	510 mm
Packing Dimensions - Height	610 mm	

4 SETUP

4.1 AC Power

The machine has a fixed voltage power supply and can work with an input voltage of AC 220 V-240 V, 50/60 Hz, depending on the specific model.

To determine the product's power requirements (circuit breaker, power outlet, and wiring), use the current value listed on the label affixed to the product's back panel, or refer to the product's specifications chart. The listed current rating indicates the product's average current draw under normal conditions.



Always connect the product to a protected circuit (circuit breaker or fuse). Make sure the product has an appropriate electrical ground to avoid the risk of electrocution or fire.



Never connect the product to a rheostat (variable resistor) or dimmer circuit, even if the rheostat or dimmer channel serves only as a 0 to 100% switch.

4.2 Power Plug

The machine comes with a power input cord terminated with a Lockable Powerkon connector on one end and an EU plug on the other end (EU & China market). If the power input cord that came with your product has no plug, or if you need to change the plug, use the table below to wire the new plug:

Connection	Wire (U.S.)	Wire (Europe)
AC Live	Black	Brown
AC Neutral	White	Blue
AC Ground	Green/Yellow	Green/Yellow

4.3 Fuse Replacement

- Disconnect the product from power
- Wedge the tip of a flat-head screwdriver into the slot of the fuse holder.
- Pry the safety cap out of the housing
- Remove the blown fuse from the clip on the front of the safety cap and replace with a fuse of the exact same type and rating.
- Re-insert the fuse holder and reconnect power.



Disconnect the product from power before replacing the fuse.

4.4 REPLACE A CO2 CYLINDER

- Close the connected CO2 cylinder.
- After close CO2 cylinder, power on and empty the CO2 in the hose.
- Disconnect power.
- Disconnect the CO2 hose from the CO2 bottle-to-hose connector on the CO2 cylinder.
- Remove the CO2 bottle-to-hose connector from the cylinder.
- Connect a CO2 bottle-to-hose connector to a new CO2 cylinder.
- Connect the CO2 hose to the CO2 bottle-to-hose connector on the new CO2 cylinder.
- Open the CO2 cylinder.
- In case of multiple machines, connected in series: Repeat step as recommended for each machine.

4.5 DMX Linking

You can link the DC-1 to a DMX controller using a 3- or 5- pin DMX connection. If using other DMX-compatible products with this product, you can control each individually with a single DMX controller. Instructions for connecting and configuring this product for DMX operation are in the User Manual.

4.6 Mounting

Before mounting the product, read and follow the safety recommendations indicated in the Safety Notes.

4.6.1 Orientation

For safety reasons, we do not recommend mounting the product in any capacity. Operate the product while it is on the ground only, and make sure there is adequate room for ventilation, configuration, and maintenance.

4.6.2 Rigging

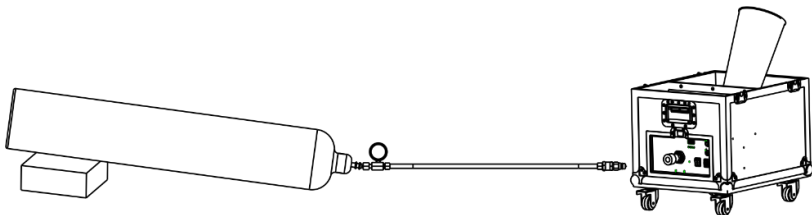
DJPOWER recommends using the following general guidelines when mounting this product.

- Before deciding on a location for the product, make sure there is easy access to the product for maintenance and programming purposes.
- Make sure that the structure or surface onto which you are mounting the product can support the product's weight (see the Technical Specifications).
- When mounting the product on the floor, make sure that the product and cables are away from people and vehicles.

5 OPERATION

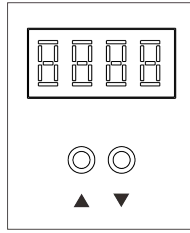
5.1 Preparing for Operation

- After checking that all the parts are intact and complete, position the machine on flat.
- Unlock and remove the top cover, and take out the woofer
- Lock the woofer firmly onto the bayonet socket of the hopper until it locks in place.
- Before connecting to the machine, make sure you connect CO2 cylinder correctly.
 - *The order of connection: others connector should be connected well before connecting CO2 quick connector.
 - * Place an 20 cm object underneath the CO2 cylinder while place it horizontally, and its bottom must higher than the top (refer to the picture as below).



- Always connect the product to a grounded circuit. Before power on, make sure if it is connected with the rated voltage.
- Wind and other weather circumstances will influence the output height and output distance of the confetti.

5.2 On-device Control Panel

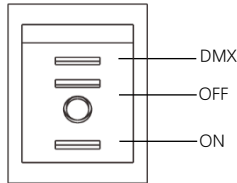


Button	Function
▲	Increases the numeric value of DMX
▼	Decreases the numeric value of DMX

5.3 On-device Control Mode & Operation

5.3.1 Programming

- Slowly open the valve of the cylinder, you will see the wonderful effect while turn the switch to ON.
- Turn the switch to OFF to stop working.

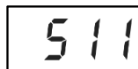


5.3.2 Menu Map

	Display	Description	Parameter Range
Preparing Page		While power on, the display will show this page.	
Setting Page		Press ENTER to setting DMX address. Press ▲ and ▼ to adjust DMX address, and save it by ENTER.	1-512

5.4 DMX Mode & Operation

- The CO2 DMX Confetti Blaster DC-1 works with a DMX controller.
- Turn the switch to DMX, and you can control the machine by DMX controller.
- While on DMX mode, the display will show setting page.



- DJPOWER® DC-1 DMX uses only 1 DMX channels, which defines the highest configurable address to 512.

6 TECHNICAL INFORMATION

6.1 Maintenance

- To achieve the maximum service life of the machine, you must regularly clean the machine and test if it is functioning correctly.
- To prolong machine's life, clean the CO2 inlet and outlet at regular time to prevent dust attached.
- The maximum of CO2 hose can be used 1 year, and replace a new one after 1 year.
- After using the filter for 3 months, take the filter element for a cleaning and reinstall and screw.



Do not replace parts yourself; always consult DJPOWER if necessary.

6.2 Storage

Store the machine at a dry and cool place.

