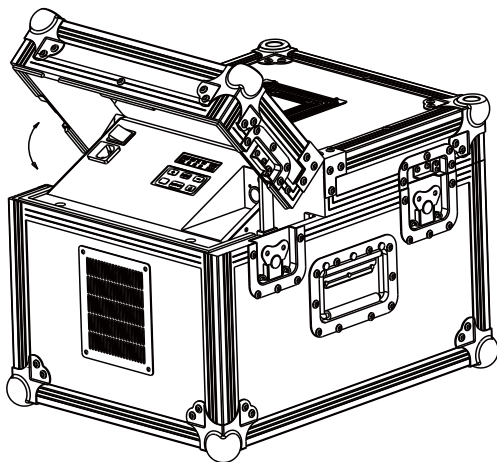


djv[®] BY **DJPOWER**[®]

[PRO STAGE EFFECTS]



DJ-660 USER MANUAL

HAZE MACHINE

GUANGZHOU DJPOWER ELECTRONIC TECHNOLOGY CO.,LTD

PRODUCT DESCRIPTION: DJ-660 is a haze machine which different from the traditional hazer. It adopts to high-pressure atomization technology. No need heating system and can be use directly when power on. The machine use professional matched liquid PRO-H1L. It is suitable for various in door perform places and pup.

FEATURES:

1. With angle adjustable fan, the speed can be adjusted. (Innovative Technology)
2. Professional leak proof bottle, no leakage when transport. (Innovative Technology)
3. Silence. Low noise.
4. Drying and thin smoke, diffuse fast.
5. Long-life
6. Without heating, plug and play.

NOTES BEFORE USE:

1. Place the smoke machine horizontally, and check whether it is damaged or not. If damaged, please contact the supplier at once. Unscrew the lid of the oil tank to pour in the high-quality smoke liquid, and then fasten the lid.
2. Before power on, please verify that the supply voltage is in conformity with the rated voltage of the smoke machine. The power supply should be connected to the grounding wire. When power on, the indicator light will turn on, and the smoke machine will begin to work. Connect the machine to different controllers for different controls.
3. At the first time, it is normal if the smoke machine creates just a little smoke or some steam, just take it easy.
4. Please place the smoke machine in the ventilated place but not in the hole, or else the machine's temperature fuse will be disconnected and caused stop-heating.
5. Place the smoke machine on the ground horizontally or install it on the hanger, but not aslant. The machine should keep a minimum 30CM distance all around. Keep it off kid、flames、flammable and explosive materials. Also keep away from nozzle 40CM to prevent scalding.
6. Please add liquid in time. If the smoke machine keeps running when the liquid is used up, it will caused the pump and heater damaged. Turn off the power before adding liquid and operate carefully for fear that the liquid might overflow to cause short circuit.
7. In case that the smoke is diminished, or there is noise from pump, or the machine stops smoking, please disconnect the power at once, and check the liquid deposit、fuse、cable and power plug. If the problems are still not solved, please contact the supplier.
8. In unmanned case, please stop machine running. Keep it off kids. Do not add inflammable liquid, such as oils, gas or spice. Do not touch the wire when the machine is running for fear of electrical shock.
9. Due to condensation, vapour or moisture might gather around the nozzle of machine. There might be some surplus smoke ejected from any smoke machine during operation or after shutdown.

10. Please make sure there is no liquid and metals inside machine before turn on the power each time. Do not modify or repair the machine by yourself. If there is any problem, please contact the supplier.

1. Introduction

Important environmental information about this product

- >This symbol on the device or the package indicates that disposal of the device after its lifecycle could harm the environment.
- >Do not dispose of the unit (or batteries) as unsorted municipal waste; it should be taken to a specialized company for recycling.
- >This device should be returned to your distributor or to a local recycling service.
- >Respect the local environmental rules.
- >If in doubt, contact your local waste disposal authorities.
- >Thank you for choosing DJ-660. If the device was damaged in transit, don't install or use it and contact your dealer.

2. Safety Instruction

- >Be very careful during the installation: touching live wires can cause life-threatening electroshocks.
- >Do not touch the device during operation as the housing heats up.
- >Keep this device away from rain and moisture.
- >Unplug the mains lead before opening the housing.
- >Damage caused by disregard of certain guidelines in this manual is not covered by the warranty and the dealer will not accept responsibility for any ensuing defects or problems.
- >A qualified technician should install and service this device.
- >Do not switch the device on immediately after it has been exposed to changes in temperature. Protect the device against damage by leaving it switched off until it has reached room temperature.
- >This device falls under protection class I. It is therefore essential that the device be earthed. Have a qualified person carry out the electric connection.
- >Make sure that the available voltage dose not exceeds the voltage stated in the specification of this manual.
- >Do not crimp the power cord and protect it against damage. Have an authorized dealer replace it if necessary.
- >Disconnect the device from the mains to clean it or when it is not in use. Handle the power cord by the plug only.
- >Note that damage caused by user modification to the device is not covered by the warranty.
- >Keep the device away from children and unauthorized users.

3. General Guidelines

- >This device is designed for professional use on the stage, in disco, theatres, etc. The device should only be used indoors with an alternating current of max.230V AC/50HZ.
- >Do not shake the device. Avoid brute force when installing or operating the device.
- >Select a location where the device is protected against extreme heat, dust and moisture.
- >Familiarize yourself with the functions of the device before actually using it. Do not allow operation by unqualified people. Any damage the may occur will most probably be due to unprofessional use of the device.
- >Use the original packaging if the device is to be transported.
- >All modifications of the device are forbidden for safety reasons.
- >Only use the device for its intended purpose. All other users may lead to short circuits, burns, electroshocks, crash, etc. Using the device in an unauthorized way will void the warranty.
- >This device is not suited for permanent operation. Frequent operation breaks will protect the life span of your smoke machine.

4. Installation

- >Have the device installed by a qualified person, respecting EN 60598-2-17 and all other applicable norms.
- >The carrying construction must be able to support 10 times the weight of the device for 1 hour without deforming.
- >Never stand directly below the device when it is being mounted, removed or serviced. Have a qualified technician check the device once a year and once before you bring it into service.
- >Install the device in a location with few passers-by that is inaccessible to unauthorized persons.
- >Adjust the desired inclination angle via the mounting bracket and tighten the bracket screws.
- >Make sure there is no flammable material with a 50cm radius of the device.
- >Connect the device to the mains with the power plug.
- >The installation has to be approved by an expert before the device is taken into service.

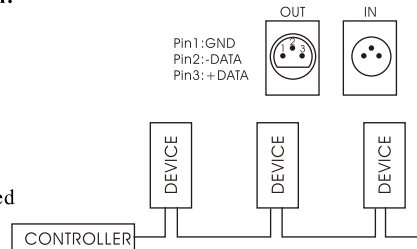
5. Use

The smoke machine is controlled by 2DMX channel:
CHANNEL 1=smoke output channel
CHANNEL 2=wind output channel

a. DMX 512 Connections

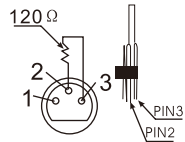
Connect the provided XLR cable to the female 3-pin XLR output of your controller and the other side to the male 2-pin input of the DJ-660 .

Multiple DJ-660 can be linked through serial linking. The linking cable should be two core, screened Cable with XLR input and output connectors. Please refer to the diagram at the right.

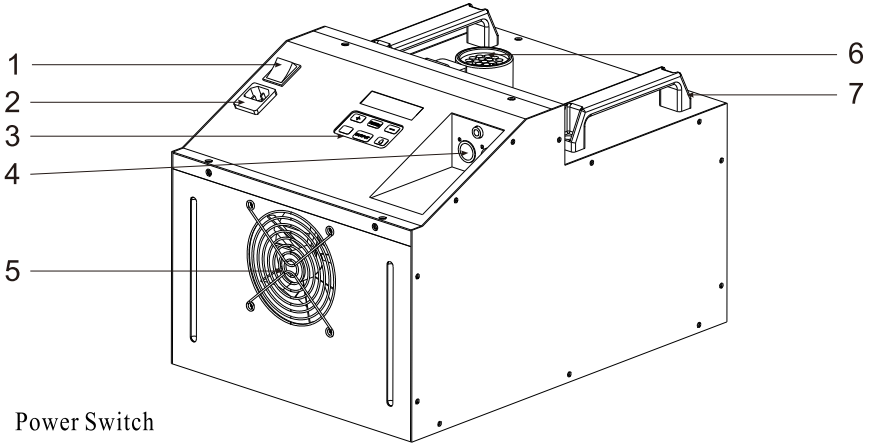


b. DMX 512 Chain with termination

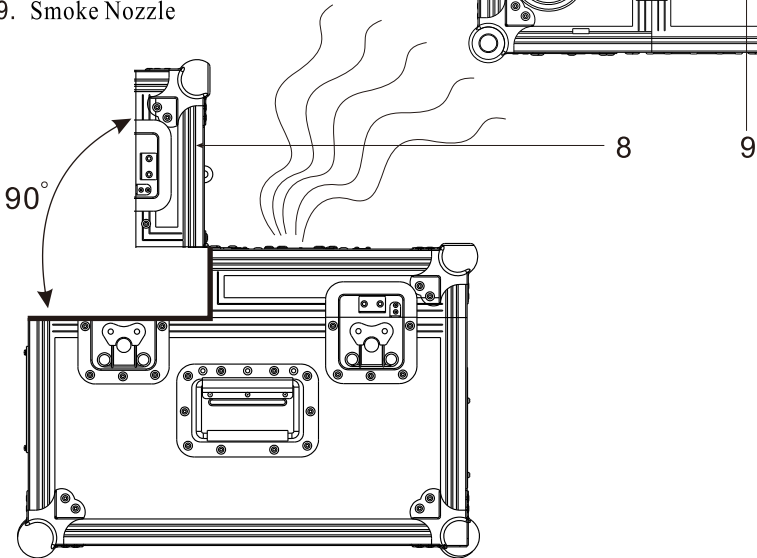
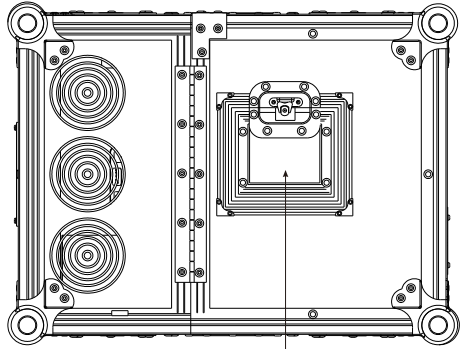
A DMX terminator is recommended for installation where the DMX cable has to run a long distance or is in an electrically noisy environment (e.g. discos). The terminator prevents corruption of the digital control signal by electrical noise. The DMX terminator is simply an XLR plug with a 120 Ω resistor between pins 2 and 3, which is then plugged into the XLR output socket of the last device in the chain. (Please see illustrations to the right)



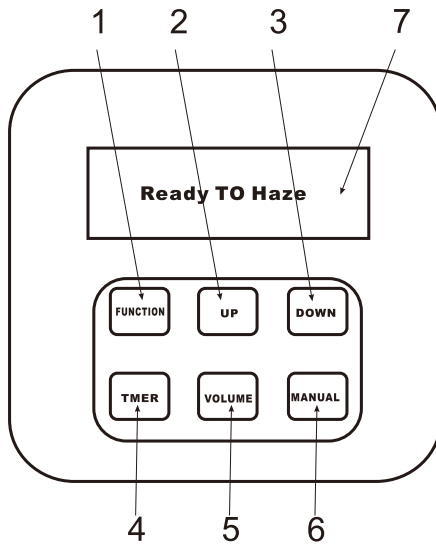
Input Voltage	AC 220 V- 240V, 50/60 Hz
Fuse	F5 A/250 V
Total Power Consumption	500 W
Heat Up Time	0 s
Max Output Volume	3,000 cuft/min
Fluid Consumption Rate	10 h/L
DMX- 512	√
Fluid Tank Capacity	2.5 L
Net Weight	33.2 kg
Gross Weight	35.7 kg
Machine Dimensions	521/396/369 mm
Packing Dimensions	590/450/460 mm
DMX Channel	2
Consumables	PRO-H1L



- 1. Power Switch
- 2. Power Socket
- 3. Control Panel
- 4. DMX Socket
- 5. Cooling Exhaust Fan
- 6. Smoke Nozzle
- 7. Handle
- 8. Adjust the angle of the lid
- 9. Smoke Nozzle



Instruction for LCD controller of DJ-660:



1. Function (use for switchover the function page)
2. Increase
3. Decrease
4. Timer
5. Output lock /ON
6. Manual output / OFF
7. Display

Function page 1: Interval Set 10; to set the interval time between two burst.

Function page 2: Duration Set 10; to set the duration time of burst.

Function page 3: DMX 512 ADD 1; to set address code.

Function page 4: DOOR SENSOR ON; to set on/off of close-warning in nozzle.

Function page 5: Direct Haze; for the output lock button, the device will smoke continuous when you press it; for the manual output button, the device will smoke when you press it and will stop when it is free.

Function page 6: Fan speed 10; to set the wind strength.

