

## **H-IP9S RAINPROOF DMX FAN**

---

### **USER MANUAL**

**GUANGZHOU DJPOWER ELECTRONIC TECHNOLOGY CO.,LTD**



# 1 BEFORE YOU BEGIN

## 1.1 What Is Included



H-IP9S × 1



Power Cord × 1



Wireless remote control × 1






Warranty Card × 1

## 1.2 Unpacking Instructions

Carefully unpack the product immediately and check the container to make sure all the parts are in the package and are in good condition.

If the box or the contents (the product and included accessories) appear damaged from shipping, or show signs of mishandling, notify the carrier or dealer/seller immediately. In addition, keep the box and contents for inspection.

## 1.3 Symbols

Symbol	Meaning
	<b>Caution</b> Critical installation, configuration, or operation information. Not following these instructions may make the product not work, cause damage to the product, or cause harm to the operator.
	<b>Important</b> Important installation or configuration information. Failure to comply with this information may keep the product from working correctly.
	<b>Information</b> Useful information.

## 1.4 Disclaimer

The information and specifications contained in this User Manual are subject to change without notice. DJPOWER assumes no responsibility or liability for any errors or omissions and reserves the right to revise or to create this manual at any time. Copyright © 2024 DJPOWER. All rights reserved.

## 1.5 Safety Notes

Please read the following Safety Notes carefully before working with the product. The notes include important safety information about installation, usage, and maintenance.

### 1.5.1 Personal Safety

- Always connect the product to a grounded circuit to avoid the risk of electrocution.

- **Make sure that children, unauthorised people and animals do not obtain access to the machine.**
- **Don't put anything in fan.**

### 1.5.2 Things that must be observed during installation and use

- It's IP55, don't put machine in water
- When mounting the product overhead, always use a safety cable. Mount the product securely to a rigging point, whether an elevated platform or a truss.
- For adult use only. Fixture must be installed out of the reach of children. Never leave the unit running unattended. Keep it away from fire, combustible, and flammable materials.

### 1.5.3 Power and Wiring

- Always make sure that the voltage of the outlet to which you are connecting the product is within the range stated on the decal or rear panel of the product.
- Make sure the power cord is not crimped or damaged.
- Never connect this product to a dimmer pack or rheostat.
- Never disconnect the product from power cord by pulling or tugging on the cord.
- To eliminate unnecessary wear and improve its lifespan, during periods of non-use completely disconnect the product from power via breaker or by unplugging it.

### 1.5.4 Operation

- Do not operate this product if you see damage to the housing or cables. Have the damaged parts replaced by an authorized technician at once.
- When it is working, please keep your hair away from the machine to avoid injuring your hair.
- Due to the powerful speed of the Fan, do not throw anything into it before it is started.
- Never carry the product by the power cord or any moving part. Always use the handles of the machine.
- In the event of a serious operating problem, stop using the product immediately.
- This product contains no user-serviceable parts. Any reference to servicing in this User Manual will only apply to properly trained, certified technicians. Do not open the housing or attempt any repairs which can lead to damage or malfunction.



**Please save this manual for future use. When resell the machine, be sure to attach the instructions.**

## 2 INTRODUCTION

### 2.1 Introduction

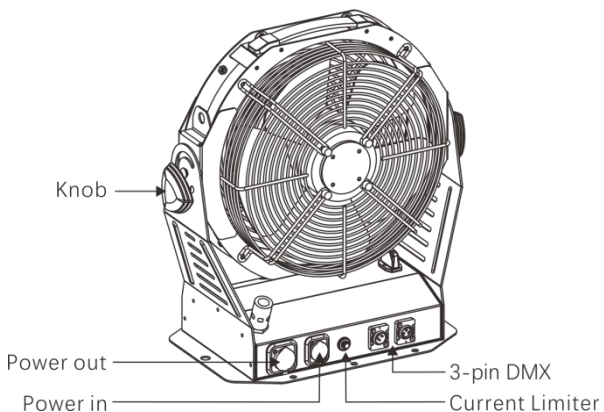
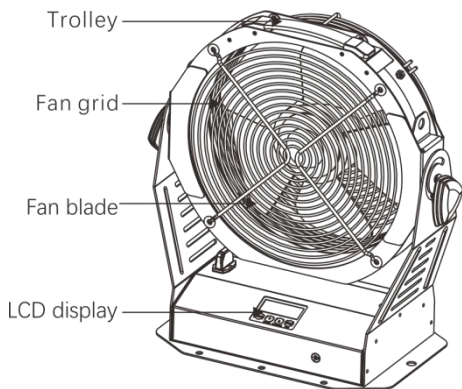
H-IP9S is a new waterproof high-end DMX FAN launched by DJPOWER. Using stainless steel and the design of waterproof construction. IP55 waterproof rate, DMX and wireless control. Adjustable wind speed, wind outlet angle 270°adjustable. It can be Inclined used and upside down used. Use with fog

machine, it can thin the fog, spreading further. Used with snow or bubble machine, snow or bubble can spread further and higher.

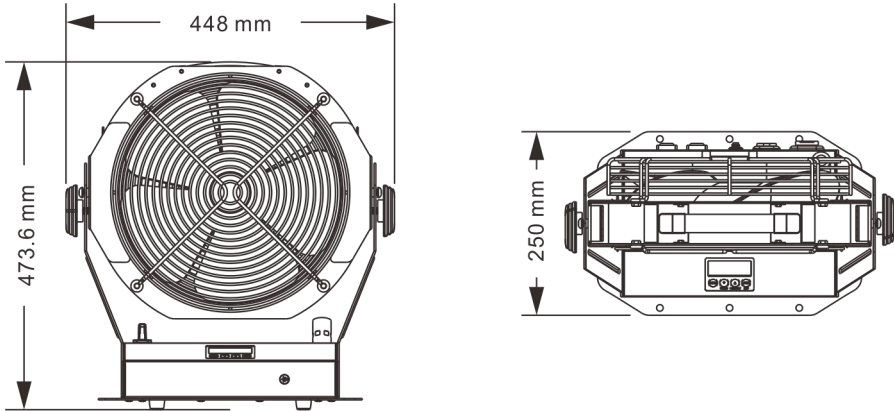
## 2.2 Features

- Using stainless steel and the design of waterproof construction. IP55 waterproof rate
- DMX and wireless control
- Adjustable wind speed, wind outlet angle 270°adjustable; It can be Inclined used and upside down used.
- Professional special auxiliary equipment, used with snow or bubble machine, snow or bubble can spread further and higher.

## 2.3 Product Overview



## 2.4 Product Dimensions



## 3 TECHNICAL SPECIFICATIONS

	Input Voltage & Rate	AC 100-120 V, 50/60 Hz	AC 220-240 V, 50/60 Hz
<b>AC Power</b>	Current Limiter	5 A/250 V	3 A/250 V
	Total Power Consumption	210 W	210 W
<b>Waterproof</b>	IP Rate	IP 55	
	Wind angle	0-270°	
<b>Fan</b>	Wind speed adjustment	Adjustment	
	Fan speed	Appr. 0-2,200 r/min	
<b>Placement &amp; Mounting</b>	Horizontal	√	
	Inclined	×	
	Side lay	×	
	Hang Upside Down	√	
	Rigging & Trussing	√	
<b>Control</b>	On-device Manual Control	LCD Control board	
	Wireless Control	W-7	
	Wired Control	×	
	Control Protocol	DMX512	
	DMX Channel Range	1	
<b>Weight &amp; Dimensions</b>	N.W.	11.3 kg	
	G.W.	13.2 kg	
	Machine Dimensions	448 × 250 × 473.6 mm	
	Packing Dimensions	515 × 435 × 415 mm	

# 4 SETUP

## 4.1 AC Power

The machine has two kinds of voltage power supply, it can work with an input voltage of AC 100-120 V, 50/60 Hz or AC 220-240 V, 50/60 Hz, depending on the specific model.

To determine the product's power requirements (circuit breaker, power outlet, and wiring), use the current value listed on the label affixed to the product's back panel, or refer to the product's specifications chart. The listed current rating indicates the product's average current draw under normal conditions.



**Always connect the product to a protected circuit (circuit breaker or fuse). Make sure the product has an appropriate electrical ground to avoid the risk of electrocution or fire.**



**Never connect the product to a rheostat (variable resistor) or dimmer circuit, even if the rheostat or dimmer channel serves only as a 0 to 100% switch.**

## 4.2 AC Plug

The H-IP9S comes with a power input cord terminated with a Lockable Powercon connector on one end and an EU plug on the other end (EU & China market). If the power input cord that came with your product has no plug, or if you need to change the plug, use the table below to wire the new plug:

Connection	Wire (U.S.)	Wire (Europe)
AC Live	Black	Brown
AC Neutral	White	Blue
AC Ground	Green/Yellow	Green/Yellow

## 4.3 DMX Linking

You can link the machine to a DMX controller using a 3- or 5-pin DMX connection. If using other DMX-compatible products with this product, you can control each individually with a single DMX controller. Instructions for connecting and configuring this product for DMX operation are in the User Manual.

## 4.4 Mounting

Before mounting the product, read and follow the safety recommendations indicated in the Safety Notes.

### 4.4.1 Orientation

For safety reasons, make sure the unit is well mounted through bracket and with safety cable. Also make sure there is adequate room for ventilation, configuration, and maintenance. Please use the quick-lock hook to fix the H-IP9S, when hanging upside down. You can use the rubber feet to place it on a flat surface, when lay it in flat.

### 4.4.2 Rigging

DJPOWER recommends using the following general guidelines when mounting this product.

- Before deciding on a location for the product, make sure there is easy access to the product for maintenance and programming purposes.

- Make sure that the structure or surface onto which you are mounting the product can support the product's weight (see the Technical Specifications).
- When mounting the product on the floor, make sure that the product and cables are away from people and vehicles.
- Always use a safety cable to secure the machine to a fastening device when used suspended.

## 5 OPERATION

### 5.1 On-device Control Panel

To access the control panel functions, use the four buttons located underneath the LCD display.



Button	Function
<MENU>	Switch menu pages to select a function
<▲>	Increases the numeric value of current function Triggers TIMER output mode
<▼>	Decreases the numeric value of current function Triggers VOLUME output mode.
<ENTER>	Save current setting and return to standby page. STOP output

### 5.2 On-device Control Mode & Operation

#### 5.2.1 Programming

- Refer to the Menu Map to understand the menu options. The menu map shows the main level and a variable number of programming levels for each option.
- To go to the desired main level, press repeatedly until the option shows on the display. This will take you to the first programming level for that option.
- To select an option or value within the current programming level, press “▲” or “▼” until the option shows on the display. If there is another programming level, you will see that first option, or you will see the selected value.
- Press <MENU> repeatedly to switch menu pages.
- Press <ENTER>/<STOP> to go back to Standby Page at any time.



## 5.2.2 Menu Map

	Display	Description	Parameter Range
Preparing Pages	Ready to work H-IP9S	Start working	
	Wind volume 100%	Press "▲" or "▼" to set wind volume	1%-100%
Settings Page	Wireless Remote Control function ON	Press "▲" or "▼" to set on/off wireless remote control function	ON/ OFF
	DMX512 address 1	Choose DMX address	1-512
	Clean the data of remote control	Press ENTER, clean all matching used wireless remote control data records	
	Auto run last settings ON	Press "▲" or "▼" button to turn on or off the function. After the machine is powered off and restarted, it will remember the last running status of the machine.	ON/ OFF
	Language English	Press language, and press ENTER to save	Chinese/ English

## 5.3 DMX Mode & Operation

The Machine H-IP9S works with a DMX controller.

### 5.3.1 DMX Mode Menu Map

While connect to DMX signal, the display will show DMX starting address, and you can press "▲" or "▼" to set DMX starting address

DMX512 address 1
---------------------

### 5.3.2 DMX Channel Assignments and Values

#### H-IP9S has one channel

Channel	Function	Value	Description
1	Output volume	000 - 009	OFF
		010 - 255	Getting bigger

## 5.4 Wireless control Mode & Operation

### 5.4.1 wireless remote control function



When open the function of machine wireless remote control, can be controlled by W-7. It's 4 buttons, A/ B/ C/ D. A is 1%, B is 33%, C is 66%, D is 100%. When press A, the fan start to work. Press A again, the fan stop to work. The other buttons are same.

### 5.4.2 Clean remote control data

Clean Wireless Remote Control data function setting. Press ENTER, clean all matching used wireless remote control data records.



