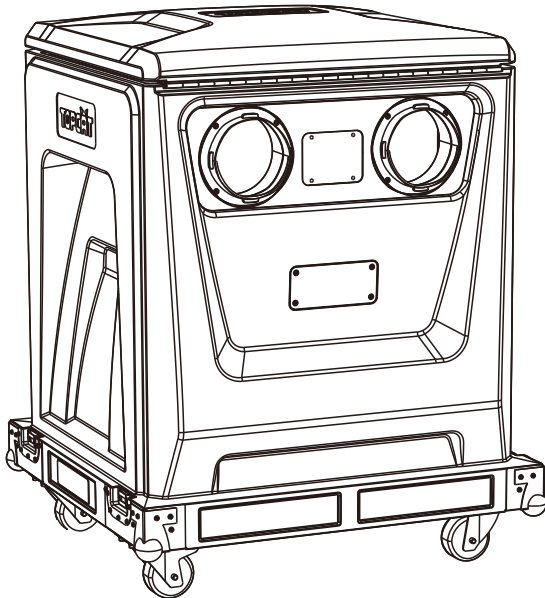


TOPCAT[®]

by DJPOWER



H-X4 DMX CLOUD WALKER

USE MANUAL

1. BEFORE YOU BEGIN

1.1 What Is Included




- H-X4 DMX Automatic Dry Ice Machine × 1
- Flight Case × 1
- Hose, Nozzle × 2
- Power Cord × 1
- Warranty Card × 1

1.2 Unpacking Instructions

When you receive the machine, carefully unpack the product and check all contents to ensure that all parts are complete and in good condition.

If the box or its contents (including the product and accessories) appear damaged or show signs of mishandling during shipping, please notify the carrier or dealer/seller immediately. Additionally, return the original box and all contents for inspection.

1.3 Symbols

Symbol	Meaning
	Caution Critical information about installation, configuration, or operation. Not following these instructions may make the product not work, cause damage to the product, or cause harm to the operator.
	Importance Important information about installation or configuration. Failure to comply with this information may keep the product from working correctly.
	Information Useful information.

1.4 Disclaimer

The information and specifications contained in this User Manual are subject to change without notice. DJPOWER assumes no responsibility for any errors or omissions and reserves the right to revise or amend this manual at any time.

Copyright © 2025 DJPOWER. All rights reserved.

1.5 Safety Notes

Please read the following Safety Notes carefully before running the product. The notes include important safety information about installation, usage, and maintenance of the machine.

1.5.1 The Dry Ice Fogger Principal

Dry Ice is a solid form of carbon dioxide. With its sublimate nature, it can transform into gas from its solid form without generating liquid. Dry-ice reaches a temperature of minus 87.5 Celsius degree. When immersed in hot or boiling water, the dry ice sublimated into CO₂ gas which will stir the water violently and spray many water droplets into the air. The expanded gas and water moisture push its way out of the machine from nozzle. Due to the low temperature and heavy weight of CO₂, the water vapor sinks to the floor and reacts with the water droplets in the air then low lying fog effects come into being.

- Do not store dry ice in a sealed container to avoid explosion due to accumulated pressure.
- Do not cover or block the nozzle during operation to avoid explosion due to accumulated pressure.
- Be sure to wear protective gloves and do not directly touch dry ice with bare hands.
- Do not swallow dry ice in case of severe physical injuries.
- Do not forget to cover the dry ice with a cloth or place it in a cloth bag before breaking it.
- Do not use the device in a confined space. Before using the device, ensure that the space is well ventilated.

1.5.2 Personal Safety

- Always use a grounded power outlet to avoid the risk of electric shock.
- This machine is for adult use only. Keep children away from the machine.
- During the heating or operation of the machine, the temperature of the water tank is high, please do not touch the hot nozzle of the machine during operation. The distance between the machine and the nearest object should be at least 2 meters.
- Do not use this machine as a space heater.
- Before cleaning, disconnect the machine from the power supply.
- Before transporting the machine, empty the water tank through the drain valve.

1.5.3 Mounting and Rigging

- For safety reasons, other installation methods are not recommended, please install and operate the machine in a flat position.
- Please keep the machine dry. Do not expose the machine to rain or moisture. Do not use the machine when it is wet, wipe it with a dry cloth.
- When transferring product from extreme temperature environments (e.g. from cold truck to warm humid

ballroom), condensation may form on the internal electronics of the product which may trigger electric shock. To avoid such malfunctions, please make sure that the product is fully acclimated to the surrounding environment before connecting the power supply. Make sure that there are no flammable objects in the vicinity of the machine during operation.

- Do not mount the product on a flammable surface (linoleum, carpet, wood, paper, carton, plastic, etc.).
- Always place the machine in a well-ventilated environment and allow at least 50 cm of space around the machine.

1.5.4 Power and Wiring

- Always make sure that the voltage of the outlet to which you are connecting the product is within the range stated on the decal or rear panel of the product.
- Make sure the power cord is not crimped or damaged.
- Do not connect the machine to the dimming controller or rheostat.
- Do not disconnect the product from power cord by pulling or tugging on the cord.
- To eliminate unnecessary wear and improve its lifespan, during periods of non-use completely disconnect the product from power via breaker or by unplugging it.

1.5.5 Operation

- Do not operate this product if you see damage to the housing or cables. Have the damaged parts replaced by an authorized technician at once.
- Be careful to avoid slipping because the area in front of the nozzle will get wet during the operation.
- Please avoid the access to electrical equipment, power outlets and any places that may cause danger through moisture because the fog output carries moisture.
- Never carry the product by the power cord or any moving part. Always use the handles.
- Do not operate the product at higher temperatures. The maximum ambient temperature (T_a) is 104°F (40°C).
- Do not use the machine when visibility is less than 50 cm.
- This product contains no user-serviceable parts. Any reference to servicing in this User Manual will only apply to properly trained, certified technicians. Do not open the housing or attempt any repairs which can lead to damage or malfunction.
- In the event of a serious operating problem, stop using the product immediately.



Please save this manual for future use. When resell the machine, be sure to attach the instructions.

2 INTRODUCTION

2.1 Description

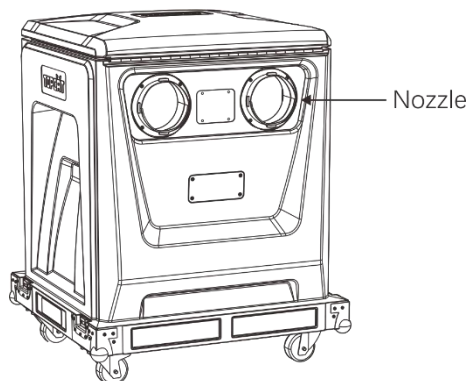
H-X4 DMX is a new dual spout automatic dry ice machine from DJPOWER. The main body of the chassis is made of high-strength composite material at one time, with compact size, light weight, good durability. With 40kg dry ice capacity and dual nozzles, it produces dense fog covering 800 m² for smoke cloud effect. The built-in stainless steel dry ice storage container maintains dry ice for approximately 24 hours, ensuring convenient operation. Featuring three electric heating systems, it offers select-able working power of 3,000W, 6,000W or 9,000W, achieving full heating in just 31 minutes. Self-integrated flight case and compact size make it easy to transport. H-X4 DMX is ideal for large stages, theaters and other performance venues.

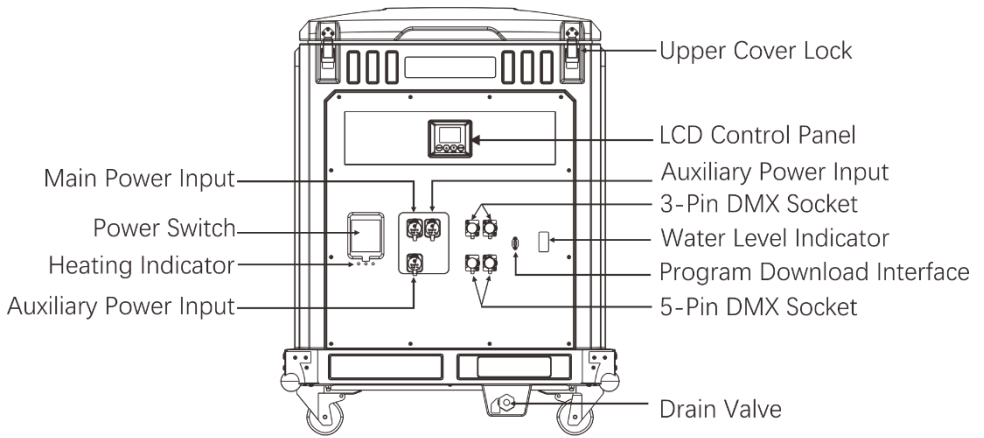
2.2 Features

- Enhanced high-intensity composite shell, stainless and durable;
- Triple heating system (3,000W/6,100W/9,000W) allow for faster heating-up (only 31 min);
- Create strong fog effect from at most 40 kg of dry ice one time to cover max 800 m²;
- Dual nozzle design creates a majestic fog effect;
- Clear water level indicator;
- Self-integrated flight case with compact size, easy for transportation;
- Stainless steel dry ice storage box, dry ice can storage about 24 hours;
- Tap-design drain outlet, easy to pour out the remaining water after use.

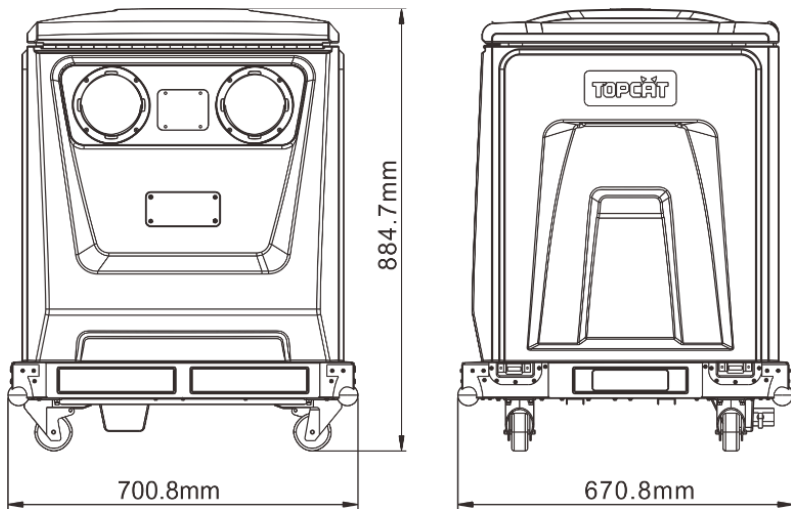
Note: The actual effect may be affected by the using environment.

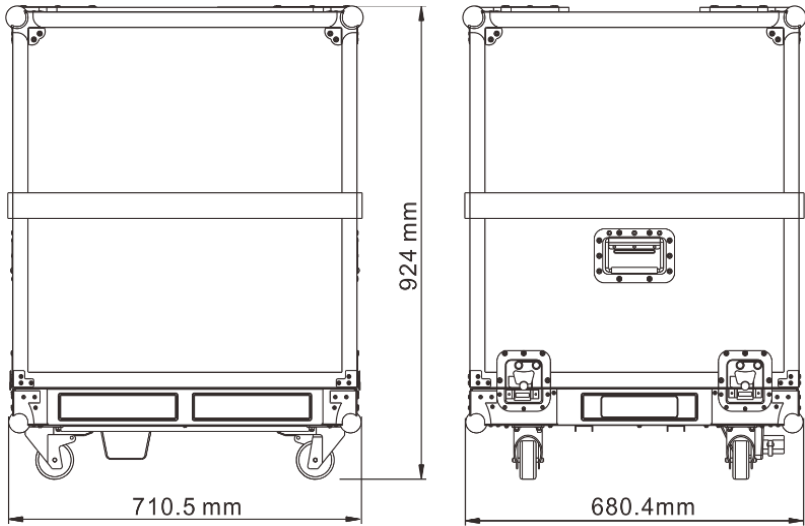
2.3 Product Overview





2.4 Product Dimensions





3 TECHNICAL SPECIFICATIONS

AC Power	Input Voltage & Rate	AC 220-240 V, 50/60 Hz
	Typical Operating Current	38.32A
	Total Power	9,000W
Heating	Main Power	3,000W
	Auxiliary Power	3,000W X 2
	Heat-up Time	Appr. 31min (9,000W)
		Appr. 51min (6,000W)
		Appr. 100min (3,000W)
Capacity	Water Tank Capacity	About 90L
	Dry ice Capacity	About 40kg
Output	Fog Adjustable Output	√
	Adjustable Range	1-10
	Max Output Coverage	Appr. 800m ²
	Max Continuous Output Duration(Full on)	Appr. 7minutes
	Continuous Output	√
	Consumables for Standard Output	Pellet Dry Ice
Accessories	Hose	√


	Nozzle	√
	Flight case	√
	Power Cord	√
Placement & Mounting	Flatwise	√
	Electronic Temperature Control	√
Function	Adjustable Output	√
Features	Automatic Output Compensation (AOC)	×
	Low Water Protection	√
	On-device Manual Control	LCD
Control	Control Protocol	DMX-512 / RDM
	DMX Channel Range	1
	Net Weight	58.3 kg
	With Flight case Weight	74.8 kg
Weight & Dimensions	Gross Weight	78 kg
	Machine Dimensions	700.8 × 670.8 × 884.7 mm
	Flight case Dimensions	714.5 × 684.4 × 924 mm
	Packing Dimensions	735 × 705 × 846 mm
Consumable	Consumable	Dry Ice, Water


4 SETUP

4.1 AC Power

The machine has a fixed voltage power supply and can work with an input voltage of AC 220 V-240 V, 50/60 Hz, depending on the specific model.

To determine the product's power requirements (circuit breaker, power outlet, and wiring), use the current value listed on the label affixed to the product's back panel, or refer to the product's specifications chart. The listed current rating indicates the product's average current draw under normal conditions.

 **Always connect the product to a protected circuit (circuit breaker or fuse). Make sure that the product has an appropriate electrical grounding socket to avoid the risk of electrocution or fire.**

 **Never connect the product to a rheostat (variable resistor) or dimmer circuit, even if the rheostat or dimmer channel serves only as a 0 to 100% switch.**

4.2 DMX Linking

You can link the H-X4 to a DMX controller using a 3-pin or 5-pin DMX connection. If using other DMX compatible products with this product, you can control each individually with a single DMX controller. Instructions for connecting and configuring this product for DMX operation are in the User Manual.

4.3 Mounting

Before mounting the product, read and follow the safety recommendations indicated in the Safety Notes.

4.3.1 Orientation

For safety reasons, we do not recommend mounting the product in any orientation. Operate the product while it is flat and in a safety position, and make sure there is adequate space for ventilation, configuration, and maintenance.

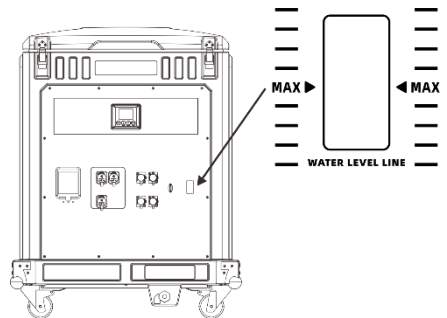
4.3.2 Rigging

- Make sure that the structure or surface onto which you are mounting the product can support the product's weight (see the Technical Specifications).
- When mounting the product on the floor, make sure that the product and cables are away from people and vehicles.


5 OPERATION

5.1 Preparing for Operation


- After checking that all the parts are intact and complete, position the machine on flat.
- The Water Level Indicator comes with machine to help check the water level inside the water tank visually. In addition, the machine is equipped with fluid sensor, which can detect the water level. In case it is too low, the unit will stop working automatically and with "WATER LEVEL LOW" showing in the LCD display.
- When the power is OFF, open the upper cover to add water till the recommended level as shown in the right picture. The water tank capacity is Appr. 90L.
- Always connect the product to a grounded circuit. Before power on, make sure it is connected with the rated voltage.




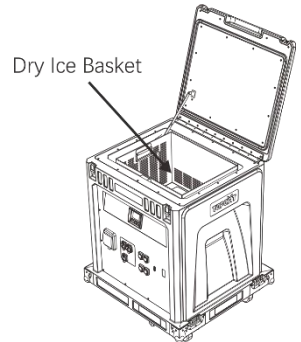
- Turn on the power switch, the machine is powered by three power supplies and heated by three heating tubes. The user can heat the machine from a single power supply with a heating power of 3,000W or from three power supplies (one main and two auxiliary) with a heating power of 9,000W. Whether in single or triple power mode of operation, the main power supply must be powered for the machine to operate properly.

 **Using a 9,000 W electric heater, the heating time to optimum operating temperature is approximately 41 minutes.**

- Open the upper cover, add no more than 40 kg of dry ice to the basket, and lock the cover tightly.

 **Add dry ice when using the machine to avoid waste of dry ice.**

 **H-X4 provides dry ice storage function: even when the machine is heated, dry ice can be stored temporarily for hours for next uses.**



In order to achieve the desired effect, please place the dry ice in the built-in basket. At this time, please do not take out the dry ice basket to avoid serious personal injury.

5.2 On-device Control Mode & Operation

To access the control panel functions, use the four buttons located underneath the LCD display.





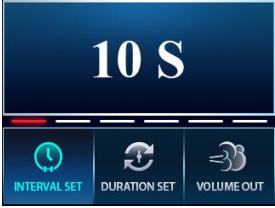
Button	Function
<MENU>	Switch menu pages to select a function
▲/ <TIMER>	Increases the numeric value of current function Multiplex <TIMER> button. (Timer mode)
▼/ <VOLUME>	Decreases the numeric value of current function Multiplex <VOLUME> button. (Volume mode)
<ENTER>/ <STOP>	Save settings Multiplex <STOP> button. (Press <STOP> to stop the output)

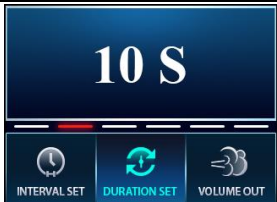
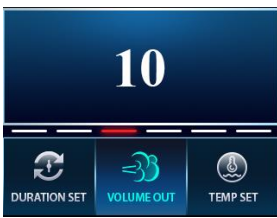

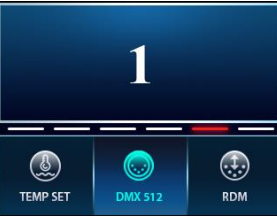

5.3 On-device Control Mode & Operation

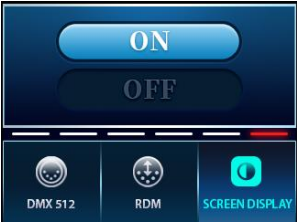
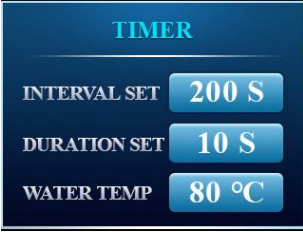
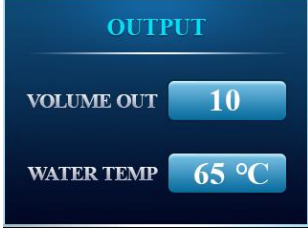


5.3.1 Programming

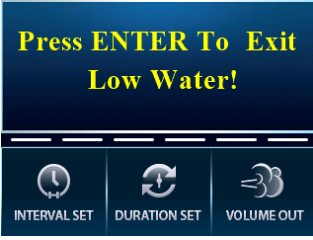

- Refer to the Menu Map to understand the menu options. The menu map shows the main level and a variable number of programming levels for each option.
- To go to the desired main level, press <MENU> repeatedly until the option shows on the display. This will take you to the first programming level for that option.
- To select an option or value within the current programming level, press “▲” or “▼” until the option shows on the display. If there is another programming level, you will see that first option, or you will see the selected value. .
- Press <MENU> repeatedly to switch menu pages.
- Press <ENTER> / <STOP> to return to that Standby Page.

5.3.2 Menu Map

	Display	Description	Parameter Range
Welcome Page		The LCD display shows the program version when powering on.	
Standby Page		Heating Up In case the water level is normal, this page appears when it is heating. (Note: the machine can work after the water temperature reaches 40°C) Press <ENTER> / <STOP> at any time to return to this standby page.	
		Ready To Work In case the water level is normal, this page appears when heating is finished. Press <ENTER> / <STOP> at any time to return to this standby page.	65°C~80°C
		Timer Interval Setting Press “▲” and “▼” set interval under TIMER mode.	10-200s

		<p>Timer Duration Setting</p> <p>Press “▲” and “▼” to set duration under TIMER mode.</p>	10-200s
		<p>Fog Output Setting</p> <p>Press “▲” and “▼” to set volume. Level 1 is the minimum volume Level 10 is the maximum volume</p>	1-10
Setting Page		<p>Temperature Setting</p> <p>Press “▲” and “▼” to set the water temperature (°C) of the machine. There are 4 levels temperature setting.</p>	65°C / 70°C / 75 °C / 80°C
		<p>DMX 512 Address</p> <p>Press “▲” or “▼” to set DMX starting address.</p>	1- 512
		<p>RDM-UID Setting</p>	/

		<p>Screen Off Setting</p> <p>On: The LCD backlight will automatically turn off after 30 seconds of inactivity. Press any key to wake the screen.</p> <p>Off: The LCD backlight remains on continuously.</p>	<p>ON/OFF</p>
<p>Working Status Page</p>		<p>In standby mode without connecting the DMX, press <▲> (multiplexing the TIMER function) or "ENTER" to start or stop the timer operation.</p>	
		<p>In standby mode without connecting the DMX, press <▼> (multiplexing the TIMER function) or "ENTER" to start or stop the fog output setting.</p> <p>In Volume mode, press "▲" or "▼" to select the fog output level.</p>	
<p>Error & Warning Page</p>		<p>When the temperature sensor is open or short-circuited, an error will be displayed. Normal operation will resume after the fault is resolved.</p>	
		<p>When the water tank level is below minimum, the low water level warning will display. Refill water tank to resume normal operation.</p>	




		<p>Low water level warning triggers when the water tank reaches the low-level threshold, water level exceeds minimum in the standby mode and the pump intake drops level below minimum in working mode.</p> <p>Add water and press "ENTER" to exit this screen and resume normal operation.</p>
<p> Due to the evaporation of water, the machine will only be continuously output if it is kept in a state of water at all times.</p>		

5.4 DMX Mode & Operation

H-X4 DMX Automatic Dry Ice Machine works with a DMX controller.

- Connect the product to a suitable power outlet.
- Turn the product on.
- Connect a DMX cable from the DMX output of the DMX controller to the DMX input socket on the product.

5.4.1 DMX Working Page

<p>Standby and Setup Page</p>		<p>Pressing "▲" or "▼" to set the DMX starting address</p>	<p>1 - 512</p>
<p> When setting the DMX starting address, the number of channels occupied by the DMX mode must be considered. If the starting address is too high, some channels may not be controlled.</p> <p> In DMX mode, each machine responds to the control of the DMX controller through its own unique starting address. Machines with the same starting address will be synchronized accordingly.</p> <p>When connected with DMX controller and receiving DMX signal, the LCD display will always show current DMX starting address which can be reset by pressing "▲" or "▼".</p>			

5.4.2 DMX Channel Assignments and Values

H-X4 DMX has 1 DMX channel and can be connected by 3-pin or 5-pin DMX sockets. Set the DMX start address within the range of 001-512, you can independently control 512pcs devices with one DMX channel.

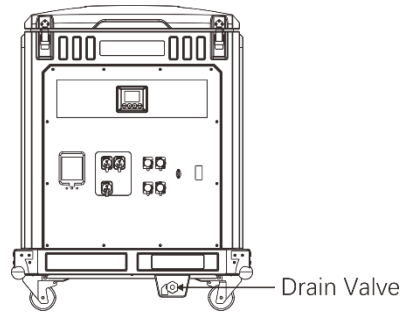
Channel	Function	Value	Description
1	Fog Output	0-24	OFF
		25-49	Level 1
		50-74	Level 2
		75-99	Level 3
		100-124	Level 4
		125-149	Level 5
		150-174	Level 6
		175-199	Level 7
		200-224	Level 8
		225-249	Level 9
		250-255	Level 10

6 TECHNICAL INFORMATION

6.1 Maintenance


H-X4 DMX needs regular maintenance to achieve the best performance. In order to achieve the best results, some cleaning and maintenance steps are essential:

- After use, wait until the machine and remaining water in the tank have completely cooled down.
- Please open the drain valve located at the base of the unit to drain the remaining water.



6.2 Storage

Before storing the machine, follow the instructions in Maintenance for cleaning.

 Test and run your H-X4 DMX every month to achieve the best performance.

