

H-SIP7 SNOWSTORM

USE MANUAL

1 BEFORE YOU BEGIN




1.1 What is included

H-SIP7 Machine × 1	Power Cord × 1	Wireless Remoter × 1
5m transparent tube × 1	0.7m transparent tube with quick connector × 1	5L Fluid Tank × 1
Certificate × 1	Warranty card × 1	

1.2 Unpacking

Carefully unpack the product immediately and check all the contents to make sure all the parts are complete and in good condition. If the packaging and any parts appear damaged or missing during transportation, please contact the carrier or dealer immediately and return the product in the original packaging.

1.3 Symbols

Symbol	Meaning
	Caution Critical information about installation, configuration, or operation. Not following these instructions may make the product not work, cause damage to the product, or cause harm to the operator.
	Important Important information about installation or configuration. Failure to comply with this information may keep the product from working correctly.
	Information Useful information.

1.4 Disclaimer

The information and specifications contained in this User Manual are subject to change without notice. DJPOWER assumes no responsibility for any errors or omissions and reserves the right to revise or create this manual at any time. Copyright © 2024 DJPOWER. All rights reserved.

1.5 Safety Notes

Please read the following Safety Notes carefully before working with the product. The notes include important safety information about installation, usage, and maintenance.

1.5.1 Personal Safety

- Always connect the product to a grounded circuit to avoid the risk of electric shock.
- The machine is for adults only, and keep children out of reach of the machine!

1.5.2 Mounting and Rigging



In order to prevent the snow fluid from splashing onto the ground after the snow disperse, causing the ground to be slippery. It is recommended to use a layer of absorbent cotton on the ground of the snow machine to prevent slipping. After using the machine, snow fluid remaining on the ground should be cleaned up promptly to prevent people from slipping.

- This machine is designed for outdoor use and can be used both indoors and outdoors. Do not immerse the machine in water or store it in a humid environment for a long time.
- When transferring product from extreme temperature environments, (e.g. cold truck to warm humid ballroom) the resulting condensation may cause a risk of electric shock. To avoid such failures, make sure that the machine is acclimatized to the surrounding environment before connecting the power supply. Make sure there are no flammable items around the machine during operation.
- Do not place the machine on flammable surfaces (linoleum, carpet, wood, paper, cartons, plastic, etc.).
- Always install the product in a well-ventilated location, leaving at least 50 cm of space around the machine.
- Be sure that no ventilation slots on the product's housing are blocked. If blocked, please clean them promptly.

1.5.3 Power and Wiring

- Carefully check whether the power voltage matches the rated voltage of the machine before connecting the power.
- Make sure the power cord is not crimped or damaged.
- Never connect this product to a dimming controller or rheostat.
- Never disconnect the product from power cord by pulling or tugging on the cord.
- To eliminate unnecessary wear and improve its lifespan, during periods of non-use please completely disconnect the product from power via breaker or by unplugging it.

1.5.4 Operation

- Do not operate this product if the machine housing or cables are found to be damaged. Have the damaged parts replaced by an authorized technician immediately.
- Make sure there are no flammable materials close to this product while it is operating.
- The maximum ambient temperature(T_a) is 104 F(40 °C). Do not operate the product at higher temperatures.
- **Do not cover the ventilation slots when operating to avoid internal overheating.**
- **Do not cover or plug the output nozzle during operation.**

- Never carry the product by the power cord or any moving part. Always use the handles of the machine.
- **Drain the fluid tank before transporting the product.**
- Always disconnect the product from the power source before cleaning.
- In the event of a serious operating problem, stop using the product immediately.
- Snow fluid is not edible. Swallowing snow fluid may result in risk of damage to your health. Please store snow fluid in a safe indoor place. In case of contact with eyes or if swallowed, seek medical advice immediately.
- This product contains no user-serviceable parts. Untrained and unauthorized technicians are not allowed to repair or modify this machine to avoid damage or malfunction.
- **Use only DJPOWER exclusive high-quality snow fluid.**



Keep this User Manual for future use. If you sell the product, be sure that the purchaser receives this document.

2 INTRODUCTION

2.1 Description

H-SIP7 is the first rainproof snow machine launched by DJPOWER, which is specially designed for outdoor use. The housing is made of high-strength stainless steel materials with rainproof structure design of the whole machine, and the IP grade is IP54. With high-power fan and blower, it has a large snow output and the maximum output distance is about 20 meters. H-SIP7 has powerful functions such as timing quantitative, manual control, wireless remote control and DMX control. The powerful snow effect is very suitable for outdoor large-scale performances, cultural tourism projects and other places where snow scenes need to be created.

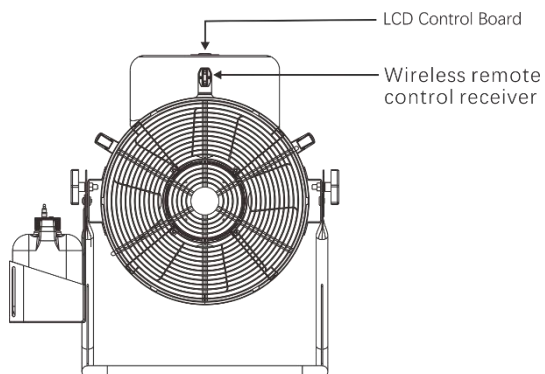
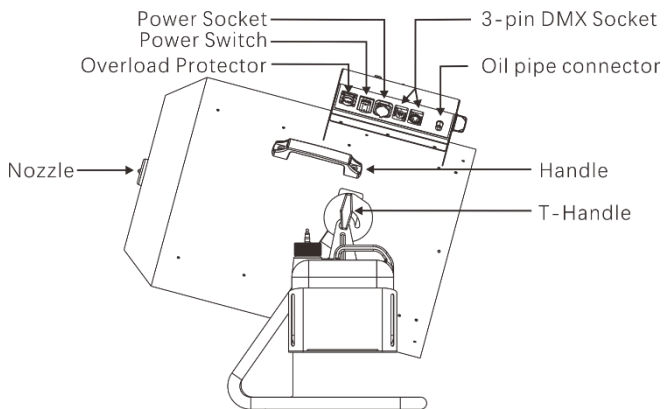
2.2 Features

- With housing of high-strength stainless steel, rainproof and moisture-proof structural design. Rainproof grade is IP54, which is suitable for outdoor use.
- With high-power fan and blower, the maximum output distance is about 20 meters.
- Adjustable snow output by manual control, timing and quantitative control, wireless remote control, DMX control, etc.

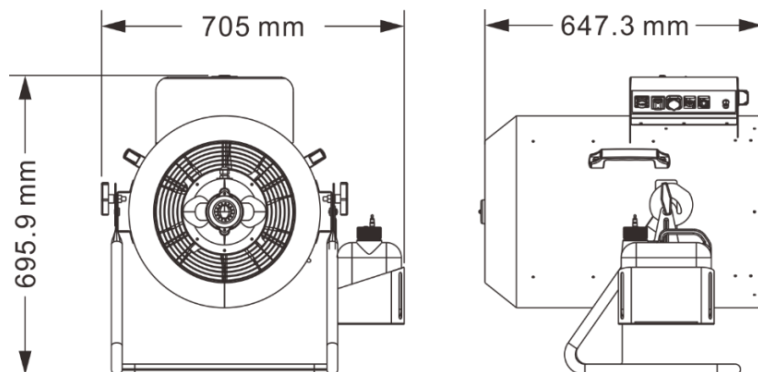
In order to achieve the best effect, please only use DJPOWER high-quality snow liquid. Different types of snow liquid can produce different effects. For details, please refer to the consumables introduction or consult the business personnel.

Note: The actual effect may be affected by the environment.

2.3 Product Overview



2.4 Machine Dimensions



3 TECHNICAL SPECIFICATION

	Voltage	AC 100-120V 50/60HZ	AC 220-240 V, 50/60 Hz
AC power	Breaker data	15A/250V	8A/250V
	Total Power	1,050 W	1,050 W
Capacity	Tank capacity	5 L	
IP Rate	IP Rate	IP54	
Output	Adjustable Output	√	
	Max Distance	Appr. 20 m (Under windless conditions)	
	Max Output Coverage	50 m ² (placed on the indoor floor in 45°)	
	Fluid Consumption @ full volume	Appr. 2.9min/L	
Placement	Placement	√	
	Keep upright	×	
	Side lay	×	
	Hang upside down	×	
Control	Hang up	×	
	Manual control	√	
	Wired control	√	
	Wireless remote control	W-5	
	Control Protocol	DMX512	
Consumable	DMX Channel	3	
	Consumable	PRO-X.2 or PRO-X.3 or PRO-X.4 or PRO-X	
Weight & Dimensions	Net weight	31.4 kg	
	Gross weight	37.9 kg	
	Machine dimensions	705 × 647.3 × 695.9 mm	
	Packing dimensions	792 × 673 × 776 mm	

4 INSTALLATION SETTING

4.1 AC Power supply

H-SIP7 has a fixed voltage power supply, which can be used according to the specific model AC 220 V-240 V, 50/60 Hz or AC 100V-120V, 50/60 Hz.

To determine the power requirements of the machine (circuit breaker, power outlet and wiring), please refer to the values listed on the machine panel label, or refer to the machine specification data. The listed values represent the average current consumption of the machine under normal conditions.



Always connect the machine to a protected circuit (circuit breaker or fuse). Make sure that the machine is connected to a grounded power plug to avoid electric shock or fire.



Never connect the machine to a rheostat (variable resistor) or dimmer circuit, even if the rheostat or dimmer channel is only used as a 0 or 100% switch.

4.2 Reset the overload protector

This machine is equipped with resettable overload protector. If the overload protector trips, the machine will be disconnected from the power source.

- Disconnect the machine from the power source.
- Wait 15 minutes for the machine to cool down.
- After 15 minutes, press the button of the overload protector to reset it.
- Plug the machine back into the power outlet and continue to use it as recommended.

4.3 Installation Notes

Operate the product while it is on the flat ground only, and make sure there is a minimum space of 50 cm around the machine. The nozzle can be adjusted up and down from 0-90°.

5 OPERATION

5.1 Preparing for Operation

Before operating the machine, prepare according to the following steps:

- After checking that all the parts are intact and complete, place the machine on a flat surface with at least 50 cm of space around the machine.
- Pour DJPOWER high-quality snow fluid into the tank, taking care not to fold the tube. Damage caused by the use of other liquids is not covered by the warranty.
- Connect the machine to the power. Before connecting, please confirm whether the required power indicated on the technical label on the back of the machine is consistent with the power supply.



Be sure to link the machine to a protected circuit and make sure it is properly grounded to avoid the risk of electric shock.

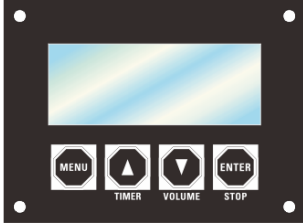
- Turn on the power supply and press the [VOLUME]/[DOWN] button to make the machine start outputting snow.

- To turn off the machine, press the [STOP] button and turn the power supply to the OFF position.

5.2 LCD Control

This LCD display is optional in both Chinese and English, which is convenient for customers to operate.

- The condition to meet this mode is: disconnect the DMX signal (When the DMX signal is connected, this control mode is invalid).
- The LCD controller contains 4 buttons:



Buttons	Function
<MENU>	Used to change pages (Different pages set different states)
▲	Add and reuse the "TIME" key (Timed output function)
▼	Decrease, reuse the "volume" key (Smoke output function)
<ENTER>	Confirm/Exit, reuse the "STOP" key

5.3 MENU page

Press FUNCTION button, there are 12 pages as below:

	LCD display	Description	Value Range
	DJPOWER H-SIP7 Software version V1.0	Start-up screen	
	DJPOWER H-SIP7 AC-230V 50Hz	Display the voltage used by the machine	
Setting page	Press the button to set the pairing	Tips for remote control pairing operation	
	Remote control setting >>>>>>>>>>	Press any button on the remote control, if the LCD controller flashes twice it means the pairing setting is completed	
	Ready to work DJPOWER H-SIP7	It shows that the machine is ready to work	1-100%
	Interval Set 10S	Press "▲" or "▼" to set the output interval under the TIMER mode setting	10-999 S

Duration Set 5S	Press “▲” or “▼” to set the output duration under the TIMER mode setting.	5-999 S
Snow Volume Out 100%	Press “▲” or “▼” to set the snow output volume(the increasing range is 5% each time)	0-100%
Blower Speed 100%	Press “▲” or “▼” to set the blower volume	0-100%
Fan Speed 100%	Press “▲” or “▼” to set the fan volume	0-100%
DMX512 ADD 1	Press “▲” or “▼” to set the DMX starting address	1-510
RDM UID 09DC*****	UID for the RDM function of the machine	
Wireless Set ON	Press “▲” or “▼” to turn on or off the wireless remote control	ON/OFF
Clear remote data ENTER	Press the ENTER key on this page to clean the previously matched remote control data	ON/OFF
Automatic screen off ON	Press “▲” or “▼” to turn on or off the LCD display	ON/OFF
Power-off memory ON	Press “▲” or “▼” to enable or disable saving the last working status	ON/OFF
Key sound settings ON	Press “▲” or “▼” to turn on or off the key sound	ON/OFF

Under any setting pages, press STOP to exit or return to the page one.

When the unit is working, press STOP to stop running and return to the page one.

After enter into different setting pages, press “▲” or “▼” to change the value.

When it is in the page one, press TIMER button to enter into timer mode directly. The relevant pages are described as follows:

- ① "Interval 5s": interval timing;
- ② "Interval 10s": interval timing;

The above pages will be displayed cyclically, and the time (such as 5s) is based on the currently set value (the settings of the interval setting and duration setting). In the timing mode, the snow output is controlled by "Snow Volume out".

On the first page, press the "VOLUME" to enter the working state. The relevant instructions are as follows:

After entering this working state, the output volume is subject to the value set by "Snow Volume Out".

5.4 Power-off memory function description

1. When the "Power-off memory" page is set to "ON", the machine is working in the TIMER mode, if there is a sudden power failure or power off, the machine will automatically work according to the last time setting when it is powered on again. No need to reset, unless this function is turned off manually.

2. When the machine is in the state of remote control output or manual output, if the power is suddenly cut off or turned off, the machine will automatically work according to the last output working mode when it is powered on again. No need to reset, unless the output is stopped by human operation.

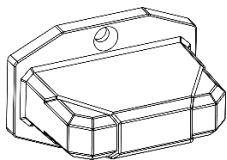
5.5 W-5 wireless remote control function

This function is used to control the machine work remotely. The remote control can reach more than 16 meters in the open space. Firstly power on the machine, then turn on the remote control function and match with the remote control transmitter, so the remote control function is effective.

When the machine is powered on, turn on the wireless remote control function and the LCD controller will display "Wireless Setup". If this state appears, it means that the wireless transmitter can be paired. When pressing the button on the wireless transmitter (it needs to stay for at least 1 second), if the backlight of the LCD controller flashes twice, it means that a wireless transmitter has been recognized and stored. A machine can only recognize up to 5 wireless transmitters. If five wireless transmitters have been recognized, the first one will be cleared when the sixth one is recognized.

If the machine has recognized 5 wireless transmitters when it was powered on last time, and it recognizes at least one wireless transmitter again when it is powered on this time, the previously recognized wireless transmitters will be cleared.

The wireless receiver is fixed on the panel of the H-SIP7. Do not try to pull it out.



Wireless receiver



Wireless remote

There are "A、B、C、D" four buttons on the remote control.

- ① One machine needs to recognize 3 wireless transmitters. When the LCD controller displays "Wireless Setup", press any key of the 3 wireless transmitters within 15 seconds. When the backlight of the

LCD controller flashes twice, it means that a wireless transmitter has been recognized. If the backlight does not flash, it needs to be re-recognized.

- ② One wireless transmitter controls two or more machines. Power on two machines at the same time. When the LCD controller of the two machines display "Wireless Setup", press any key of the wireless transmitter. When the LCD controller's backlight of the two machines flash twice, release the key.
- ③ Function of the "A" button: Turn on or off the main switch of the output, short press one time to turn on the output, short press again to turn off the output.
- ④ Function of the "B" button: "Snow volume" output, each short press increases the output by 20%, and it will return to 0 after 100%, and the adjustment parameter range is (0, 20, 40, 60, 80, 100).
- ⑤ Function of the "C" button: "Blower Speed" output, each short press increases the output by 20%, and it will return to 0 after 100, and the adjustment parameter range is (0, 20, 40, 60, 80, 100).
- ⑥ Function of the "D" button: "Fan Speed" output, each short press increases the output by 20%, and it will return to 0 after 100, and the adjustment parameter range is (0, 20, 40, 60, 80, 100).

5.6 DMX Operation

After the machine is connected to the DMX signal, the LCD screen can only display the DMX512 address setting page. At this time, it can be used to modify the DMX512 address code at any time.

H-SIP7 has two channels:

Channel	Function	Value	Description
1	Snow output level	0-15	Off
		16-255	On, Snow Output 1-100%
2	Wind output level of blower	0-5	Off
		6-255	On, Wind Output 1-100%
3	Wind output level of fan	0-5	Off
		6-255	On, Wind Output 1-100%

6 TECHNICAL INFORMATION

6.1 Maintenance

H-SIP7 needs regular cleaning and maintenance to achieve the best results. Some cleaning and maintenance steps are essential. Here are the recommended cleaning steps:

- Unplug the product from power.
- Empty snow fluid from the machine.
- Add water to the snow fluid tank.
- Connect the machine to power and preheat it. It will automatically pump clean water into the machine to rinse the snow fluid remaining in the motor and the front nozzle.

- Run the machine in a well-ventilated area until the fluid tank is empty. But avoid empty pumping!
- Add snow fluid again to continue using H-SIP7. Run the machine briefly to remove any remaining clean water from the oil pump and heater.
- Excessive dust, fluid residue on the machine will degrade the machine's performance and cause poor heat dissipation. Remove dust from the machine with air compressor, vacuum cleaner or soft brush. The casing could be cleaned by the damp cloth.



Test-run your DJPOWER ®H-SIP7 on a monthly basis to achieve the best performance.

6.2 Storage

6.3 Machine Storage

Before storing the machine, clean it and empty the fluid tank. Keep storage environment dry.