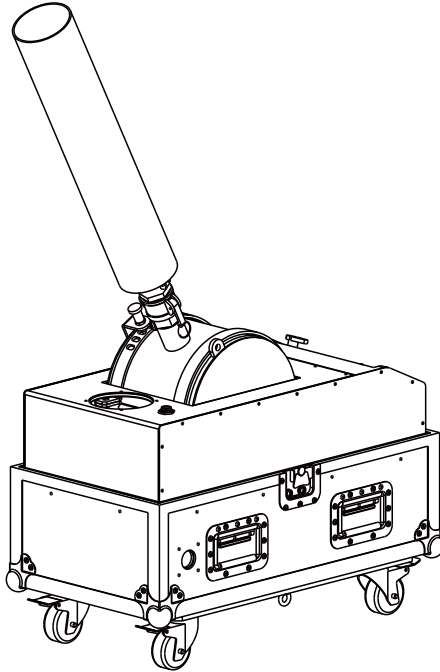


X-FORCE

by DJPOWER



X-DC5 CONFETTI SHOT

USER MANUAL

GUANGZHOU DJPOWER ELECTRONIC TECHNOLOGY CO.,LTD

1 BEFORE YOU BEGIN

1.1 What Is Included




X-DC5 Confetti Shot / Water Cannon Barrel × 1 Power Cord × 1 Electronic Controller × 1
DMX Control Signal Cable × 1 Safety Rope × 2 Paper Tube Sealing Paper × 10

Optional: Water cannon barrel (extra request upon order) for different scenarios.

1.2 Unpacking Instructions

Carefully unpack the product immediately and check all the contents to make sure all the parts are complete and in good condition. If the packaging and any parts appear damaged or missing during transportation, please contact the carrier or dealer immediately and return the product in the original packaging.

1.3 Symbols

Symbol	Meaning
	<i>Caution</i>
	Critical information about installation, configuration, or operation. Not following these instructions may make the product not work, cause damage to the product, or cause harm to the operator.
	<i>Important</i>
	Important information about installation or configuration. Failure to comply with this information may keep the product from working correctly.
	<i>Information</i>
	Useful information.

1.4 Disclaimer

The information and specifications contained in this User Manual are subject to change without notice. DJPOWER assumes no responsibility or liability for any errors or omissions and reserves the right to revise or to create this manual at any time.

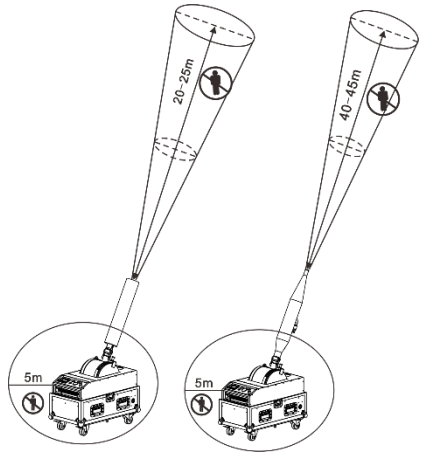
Copyright © 2025 DJPOWER. All rights reserved.

1.5 Safety Notes

Please read the following Safety Notes carefully before operating the machine. The notes include important safety information about installation, usage, and maintenance.

1.5.1 Personal Safety

- Always connect the machine to a grounded circuit to avoid the risk of electric shock.
- Do not use the machine if there are people or animals in the direct output.
- Make sure that children, unauthorized people and animals do not obtain access to the machine.
- Make sure there are no free-standing objects within the output distance to prevent injury. Maintain a distance of a 20–25 meters from the area where the confetti shot operates, and 40–45 meters from the area where the water cannon operates.
- Always create a safety zone around the machine with a radius of 5 meters. Make sure unauthorized personnel, animals and objects are clear of this area.



1.5.2 Mounting and Rigging

- For safety reasons, we do not recommend other installation methods. Please operate the machine on a flat ground and lock all four casters, and ensure they are positioned correctly.
- Do not place the machine near a source of vibration.
- When the machine is moved from an extreme environment (e.g., from cold and dry to warm and humid), the resulting condensation may cause a risk of electric shock. To avoid such failures, make sure that the machine is acclimatized to the surrounding environment before connecting the power supply. Make sure there are no flammable items around the machine during operation.
- Do not mount the machine on a flammable surface (linoleum, carpet, wood, paper, carton, plastic, etc.).
- Always operate the product in the well-ventilated area.
- Check the pressure level on the gauge before each transport. Open the vent valve to reduce internal air pressure if necessary.
- Do not transport the machine while the system is pressurized.
- To move a pressurized machine, you **MUST** power it off and disconnect all cables before relocation - failure to do so may cause critical safety hazards.
- If the machine exhibits abnormal behavior during operation (e.g., low-height confetti bursts or weak water cannon projection), follow these steps: open the tank assembly, loosen the pressure reducing valve and drain all residual water from the tank.

1.5.3 Power and Wiring

- Before connecting the power supply, please carefully check whether the power supply voltage is consistent with the rated voltage of the product.
- Make sure the power cord is not crimped or damaged.
- Never connect this product to a dimmer pack or rheostat.
- Never disconnect the product from the power cord by pulling or tugging on the cord.

- To eliminate unnecessary wear and improve its lifespan, during periods of non-use, please completely disconnect the product from power via breaker or by unplugging it.

1.5.4 Operation

- Do not operate the machine if any damage is observed to the machine housing or cables. Have the damaged parts replaced by an authorized technician at once.
- Do not cover or plug the output nozzle during operation.
- Never carry the machine by the power cord or any moving part. Always use the handles.
- Please keep a certain distance from the machine to avoid injury.
- This machine does not contain any parts that can be disassembled, repaired or modified by the user. Untrained and unauthorized technicians are not allowed to attempt to repair or modify this machine by themselves to avoid damage or malfunction.
- In the event of a serious operating problem, stop using the machine immediately.
- Ensure that the machine is operated in a well-lit environment.
- DO NOT remove any safeguards, safety caps and safety symbols.



Please note that confetti may stain surfaces when landing on wet or damp floors, making cleanup difficult. Use only in dry, non-sensitive areas. We assume no liability for damage resulting from failure to comply with this and other safety requirements.



Keep this User Manual for future use. If you sell the product, please be sure that the purchaser receives this document.

2 INTRODUCTION

2.1 Description

X-DC5 is a new confetti cannon / water cannon, powered by compressed air and launched by DJPOWER. With exceptional force, it instantly launches confetti, streamers, or water to heights of 25–45 meters. Auto-refilling function of tap water pipeline for easy operation. Housed in a flight case construction, it features a robust tank structure and an adjustable output angle. The large-capacity air tank makes it suitable for large celebrations and events.

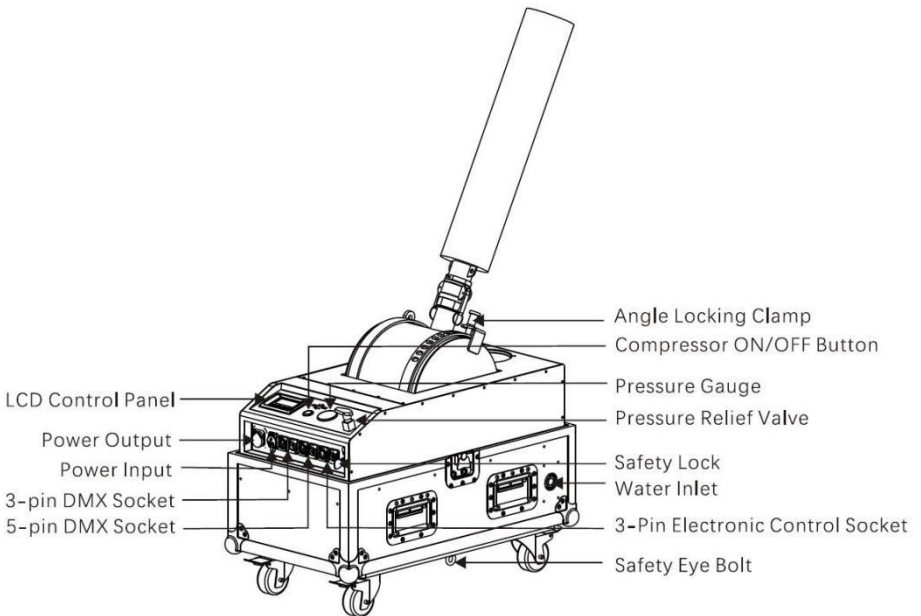
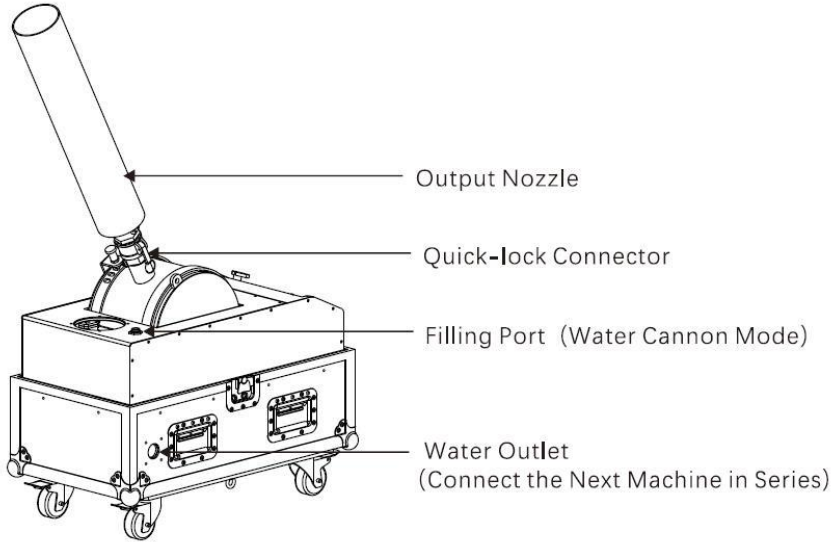
2.2 Product Features

- Dual-functional design: optional confetti cannon or water cannon to meet the needs of different scenes;
- Adjustable output angle and exceptional force, 25 meters for the confetti cannon and 45 meters for the water cannon;
- Excellent workmanship, safe and reliable;
- Large storage tank with 10L capacity, sturdy and durable;
- Supports electronic control and DMX control;
- Automatic refill function of tap water pipeline, more convenient to use;

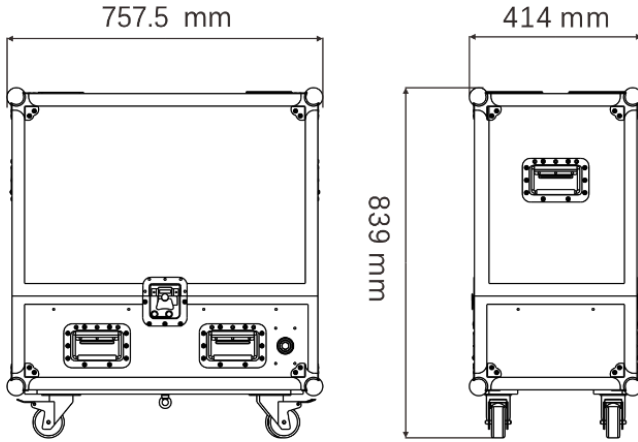
- Integrated-designed with flight case enables rapid disassembly / assembly, easy for transport;
- An optional water cannon barrel is available to meet the needs of different scenarios.

Note: The actual effect may be affected by the operational conditions.

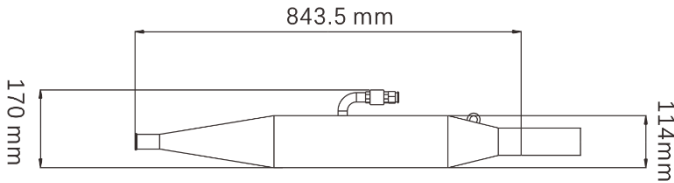
2.3 Appearance Overview



2.4 Product Dimensions



Optional: Water Cannon Barrel (extra request upon order)



3 TECHNICAL SPECIFICATIONS

	Input Voltage & Rate	AC 100V -120V 50/60HZ	AC 220V-240V 50/60HZ
AC Power	Total Power Consumption	500 W	
	Power Input Connector	Lockable PowerCon	
	Power Output Connector	Lockable PowerCon	
Output	Max Output Height(No Wind)	Confetti Cannon: Appr. 25m; Water Cannon: Appr. 40m	
	On-device Manual Control	LCD Control Panel	
Control	Wireless Control	×	
	Wired Control	√	
	Control Protocol	DMX-512	
	DMX Channel Range	3 or 4	

Capacity	Confetti Shot Barrel Capacity	5 L
	Water Cannon Barrel Capacity	5 L
	Pressure Tank Capacity	10 L
	Pressure Tank Inflation Time	2 min 20 s
Consumable	Consumable	Confetti / Streamer / Water
Weight & Dimensions	Net Weight	66.8 kg
	Gross Weight	69.2 kg
	Machine Dimensions	757.5 × 414 × 839 mm
	Packing Dimensions	774 × 430 × 736 mm
	Net Weight of Water Cannon Barrel	3.8 kg
Individual Package for Optional Accessories	Gross Weight of Water Cannon Barrel	4.8 kg
	Water Cannon Barrel Dimensions	834.5 × 114 × 170 mm
	Water Cannon Barrel Packaging Dimensions	990 × 270 × 205 mm

4 SETUP

4.1 AC Power

The machine has a fixed voltage power supply and can work with an input voltage of AC 100V-240V 50/60HZ or AC 220V-240V 50/60HZ.

To determine the machine's power requirements (circuit breaker, power outlet, and wiring), refer to the values listed on the machine's panel label or the machine specification sheet. The listed current rating indicates the product's average current draw under normal conditions. The listed current rating indicates the machine's average current draw under normal conditions.



Always connect the machine to a protected electrical circuit (circuit breaker or fuse). Make sure the machine is connected to a grounded power plug to avoid electric shock or fire.



Never connect the product to a rheostat (variable resistor) or dimmer circuit, even if the rheostat or dimmer channel serves only as a 0 to 100% switch.

4.2 AC Plug

X-DC5 comes with a power cord with a lockable Powercon on one end and an EU plug on the other. If the power cord that came with your product has no plug, or if you need to change the plug, use the table below to wire the new plug:

	Wire (China)	Wire (Europe)	Wire (U.S.)
AC Live	Brown	Brown	Black
AC Neutral	Blue	Blue	White

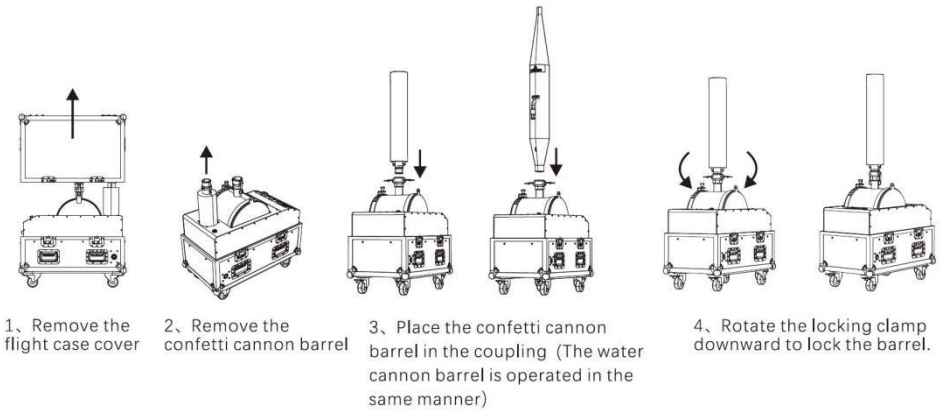
4.3 DMX Connection

X-DC5 supports both 3-pin and 5-pin connections to a DMX console. It can be connected to the same console as other DMX-compatible devices and controlled independently. This manual covers its DMX operation, connection, and configuration.

4.4 Mounting

Before mounting the product, read and follow the safety recommendations indicated in the Safety Notes.

4.4.1 Installation Diagram of Confetti Cannon



4.4.2 Installation The Water Cannon Barrel

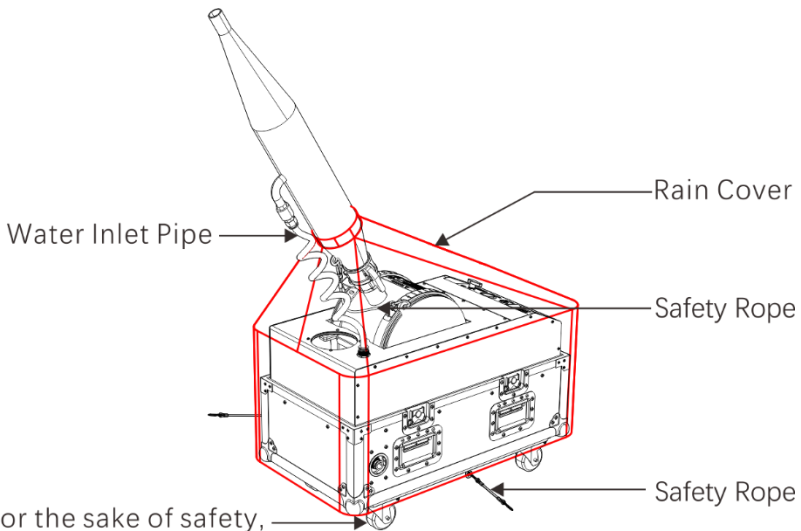


Make sure the water cannon barrel is fully filled before operation. Stop operation when the water is insufficient to prevent equipment damage and personal injury.

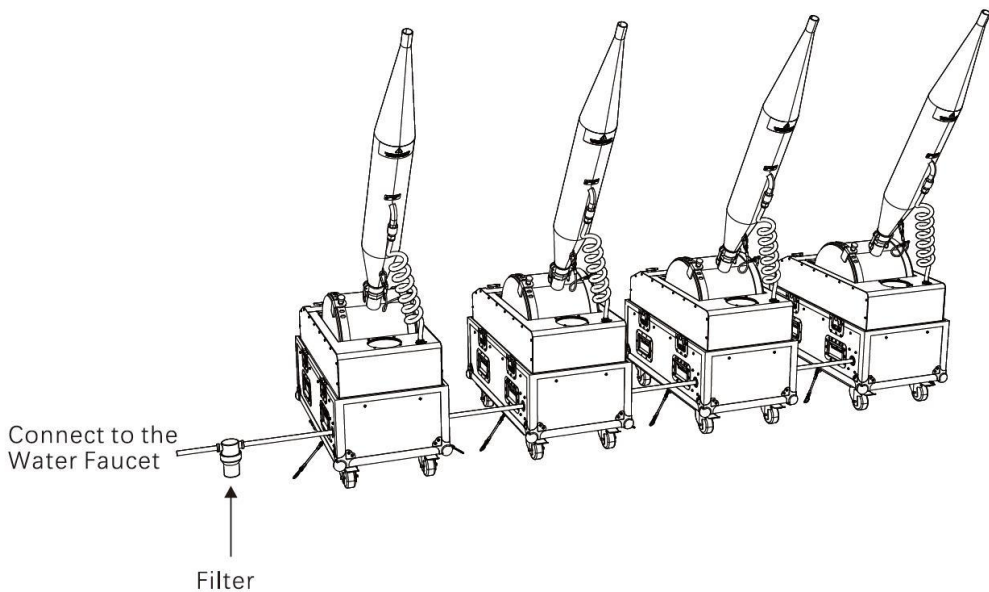


During operation of water cannon, a slight backward is a normal phenomenon due to recoil force, to ensure safe operation, do the following precautions.

Install safety rope to secure the water cannon barrel and also on the handles on both sides of the flight case. A rain cover is required for outdoor use in rainy weather.



For the sake of safety,
square up the casters
as shown and lock all
four casters



4.4.3 Tank Angle Adjustment Guide

1. Safety Preparation

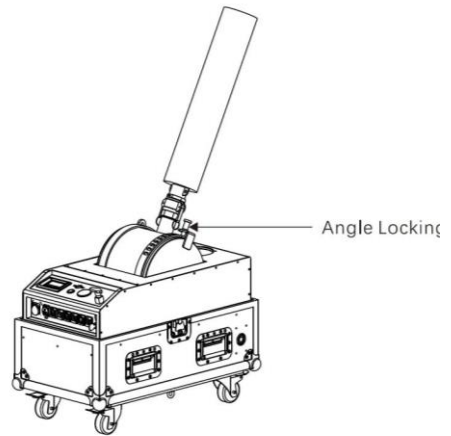
- Keep the operating environment ventilated and away from open flames or electric sparks.

2. Pull the angle locking clamp upwards

3. Adjust the Angle

- Hold the tank steadily with both hands and rotate it slowly to the desired orientation. The system supports 13 adjustable positions.
- Keep the bottom of the tank fully attached to the base during adjustment. Do not allow any gap.

4. Securely lock the angle locking clamp after adjustment



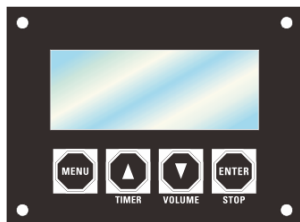
5 OPERATION

5.1 Preparing for Operation

- Nozzle Connection: Slide the nozzle onto the female connector and lock it firmly into place;
- Adjust the nozzle angle;
- Put the confetti or streamer into the nozzle;
- Plug the power cord into a grounded socket. Before turning on the power, please check the voltage Again;
- Close the pressure relief valve and set the desired pressure (max 8 bar). The machine will not start until the required pressure is achieved;
- Press the inflation switch button, and the machine will automatically start inflating;
- A green indicator light on the inflation switch signals that the system is fully pressurized and ready to spray.

5.2 On-device Control Panel

This machine has DMX control, electrical control functions. DMX control has the highest priority in any control mode.



Button	Function
<MENU>	Digital Display Homepage Cycle Toggle. Press the button once to switch between display pages. The X-DC5 includes 8 configuration pages
▲	Increase parameter values in sub-pages under each display page
▼	Decrease parameter values in sub-pages under each display page
<ENTER>	After selecting a page, enter or exit the sub-page

Note: The machine operation panel has a safety lockable button and a safety indicator light.

5.2.1 LCD Control Display Page

Menu - Normal Mode		
Name	Display	Parameter
Home (Water Cannon Mode)	Total: 255 ID: 255 Water Volume: 100% P: 100%	Electronic control mode 2. Display: Total number of devices, Device ID, Water level Percentage, Air Pressure Percentage
	DMX Address: 512 Water Volume: 100% P: 100%	1. Display: DMX address, Water level Percentage, Air Pressure Percentage; 2. Operation: + Add DMX Address - Subtract DMX Address
Home (Confetti Cannon Mode)	Total: 255 ID:255 P: 100%	Electronic control mode 2. Display: Total number of devices, device ID, and air pressure percentage
	DMX Address: 512 P: 100%	1. Displays: DMX address and Pressure Percentage; 2. Operation: + Add DMX Address - Subtract DMX Address
Mode Settings	Scene Mode Selection Confetti Cannon Mode	Mode: Confetti Cannon Mode, Water Cannon Mode
Pressure Presets	Preset Pressure (Bar) 8.0	1. Preset Pressure Value (Bar). 1 Bar is approximately equal to 0.1 MPa. 2. Setting Range: 4.0 – 8.0 Bar
DMX Address	DMX Address 510	DMX address value range: 1–509 (Enable inflation function) 2. DMX address value range: 1–510 (Disable inflation function)
Device ID Number	Device ID Number 255	1. Device ID number, setting range is 1–255 2. The device ID number is not within the total number of devices, and the device is in a blocked state.
Total Number of Devices	Total Number of Devices 255	1. Number of Devices to Connect: Setting Range 1–255
Special Effects Mode	Special Effects Mode ↑ ↑ ↑	Effective only in electronic control mode 1. ↑ ↑ ↑ ↑ : Simultaneous Spray mode 2. ———> : Left to Right

	↑	3. <——— : Right to Left 4. <— —> : Center Outwards 5. —><— : Sides Inward
Special Effects Interval	Interval Time for Chase Mode 600ms	Under electronic control mode, time interval between shots (Adjacent Device IDs) 1. 500ms 2. 600ms 3. 700ms 4. 800ms 5. 900ms 6. 1000ms
Automatic Screen OFF	Auto Screen Off OFF	1. LCD Screen Sleep Function 2. Auto Screen OFF time defaults to 30 seconds 3. Auto-return to Home screen after 15s of inactivity
UID	RDM-UID 512000000000	1. RDM communication UID code

Menu - Settings Mode		
Name	Display	Parameter
Console Inflation Function	DMX Inflation OFF	1. ON/OFF Setting to support the console inflation function
Automatic Water Filling	Automatic Water Filling OFF	1. ON/OFF to enable automatic water refill function of the console
Language Selection	Language Chinese	System language selection 1. English (default) 2. Chinese
Reminder Page	Press the ENTER Exit settings	1. Follow the instructions to exit the setup mode

5.3 Electronic Control Mode & Operation

There are two control modes: DMX mode and electronic control mode. The machine automatically activates DMX mode when a console is connected, and reverts to electronic control modes upon disconnection. The default operating mode without a DMX connection is Electronic Control.

In electronic control mode, pressing the inflation switch button will automatically inflate the machine. Press the button to resume and press it again to trigger the second inflation. Once fully inflated, the output function can be activated by pressing the control button. The actual output delay is determined by the selected Effect Mode and its Interval time settings.



5.3.1 Inflation Function (Control Panel)

- Make sure the "Console Inflation Function" is disabled in the settings menu, or disconnect the DMX control;
- Press the inflation button to start. It will automatically stop inflation when the preset pressure is reached. The button can be pressed again to manually stop inflation at any time;
- Verify that the pressure at the end of inflation matches the preset value.

5.3.2 Output Function (Electronic Control)

- Turn the control box key to the locked position, then connect the device to the control box;
- Set the Chase Mode and Chase Interval Time via the display panel.;
- Press the inflation switch button to resume and press it again to trigger the inflation;
- After inflation is complete, turn the control box key to the unlocked position and press the control box to activate the output function.

5.3.3 Water Filling Function (Control Panel)

- Do not connect the machine to DMX control console;
- Select "Water Cannon Mode";
- Set the "Automatic Water Filling" function to "ON" in the menu to activate automatic water refilling.

5.4 DMX Mode & Operation

X-DC5 works with a DMX controller:

- Connect the machine to a compatible power outlet.
- Connect the DMX output of your controller to the machine's DMX input using a DMX cable.

This device features DMX and RDM function, enabling configuration of the DMX address and access to related information from a console using the RDM protocol.

The number of DMX channels (3 or 4) is determined by the "Console Inflation" setting. The channel assignments are as follows:

Console Inflation	Channel	Function	Value	Description
-------------------	---------	----------	-------	-------------

ON (4 Channels)	1	Safety Channel	100-155	ON
			0-99	OFF
			156-255	OFF
	2	Output Channel	254-255	ON
			0-253	OFF
	3	Water Filling Channel	50-200	ON
			0-49	OFF
			201-255	OFF
	4	Inflation Channel	50-200	ON
			0-49	OFF
			201-255	OFF
	OFF (3 Channels)	1	Safety Channel	100-155
0-99				OFF
156-255				OFF
2		Output Channel	254-255	ON
			0-253	OFF
3		Water Filling Channel	50-200	ON
			0-49	ON
			201-255	OFF

Enabling "Console Inflation" function in the settings activates a 4-channel DMX mode: Safety, Output, Inflation and Water Filling. In this mode, inflation can only be controlled via the DMX console. The inflation switch button on the machine panel will be disabled and secondary inflation requires resetting the channel value before it can be re-triggered.

Disabling the "Console Inflation" function switches the 3-channel DMX mode: Safety, Output and Water Filling. Inflation is then controlled via the inflation switch button on the machine panel and secondary inflation requires resetting the channel value before it can be re-triggered.

The Console Inflation function operates only in DMX mode, and the output function can be triggered directly via its DMX channel once inflation is complete.

5.4.1 Inflation Function (DMX)

- Ensure the Console Inflation Function in the setup menu is set to ON;
- Initialize the console by resetting all channel values to 0, then connect the device to the console;
- Confirm the DMX address of the machine. The device's DMX address corresponds to Channel 1, with subsequent channels numbered in order;
- Adjust the inflation channel to the enable value to start inflation (automatically stops when preset pressure is reached). Return the channel value to a non-enable value to manually stop inflation.

5.4.2 Output Function (DMX)

- Ensure the Console Inflation Function in the setup menu is set to ON, as this setting determines the channel mode when connecting to the DMX control;
- Initialize the console by resetting all channel values to 0, then connect the device to the console;
- Confirm the DMX address of the machine. The device's DMX address corresponds to Channel 1, with subsequent channels numbered in order;
- Set the safety channel to the enable value to activate the safety circuit, then set the firing channel to the enable value to trigger the firing function;
- Chase effects are programmed via the console.

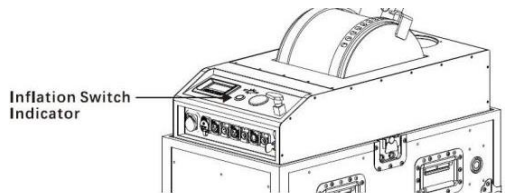
5.4.3 Water Filling Function (DMX)

- Ensure the Console Inflation Function in the setup menu is set to ON, as this setting determines the channel mode when connecting to the DMX control;
- Initialize the console by resetting all channel values to 0, then connect the device to the console;
- Confirm the DMX address of the machine. The device's DMX address corresponds to Channel 1, with subsequent channels numbered in order;
- Set the auto water refill channel to the enable value to activate the water refill function.

5.5 Inflation Switch Indicator Status

• Standby Mode

Blue steady light on the button indicator. In this state, air pressure is not fully charged, and no inflation is in progress.



• Inflation Mode

Red flashing light on the button indicator.

Activated by pressing the inflation switch or via console control to initiate inflation.

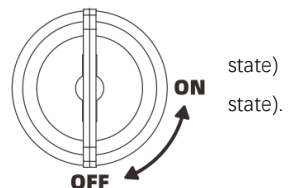
• Ready Mode

Green steady light on the button indicator. Indicates full air pressure and system readiness for firing action.

5.6 Safety Lock

X-DC5 features a safety lock function that serves as both the master control switch for spraying operations and the ultimate safety barrier. This mechanism is designed to effectively prevent accidental activation or unintended discharge, ensuring comprehensive protection for personnel and equipment.

- Safety Lock OFF: All spray functions are deactivated (Stop/Locked
- Safety Lock ON: The spray system is operational (Ready/Standby





Caution: Only when all machine connections are secure, consumables are full, and the work area is safe and clear should you turn the safety lock to the "ON" position.

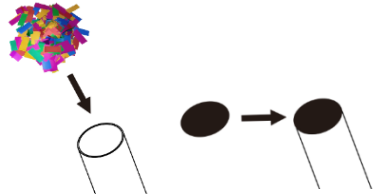
5.7 Auto-Water Refilling Function

When using the water cannon, the water inlet on the machine can be connected to a tap pipe to facilitate water replenishment, enabling more convenient operation.

6 TECHNICAL INFORMATION

6.1 Refill Consumables

- Fill the confetti cannon barrel with confetti or streamers
- Affix the paper seal at the top of the confetti cannon barrel (do not secure it tightly)



6.2 Maintenance

To achieve the maximum service life of the machine, please clean it regularly using a cloth or vacuum cleaner, and test if it is functioning correctly. (CAUTION: Ensure the machine is disconnected from power and the pressure gauge indicates 0 bar before cleaning.)

Do not replace parts yourself; always consult DJPOWER if necessary.

6.3 Storage

Store the machine in a dry and cool place.